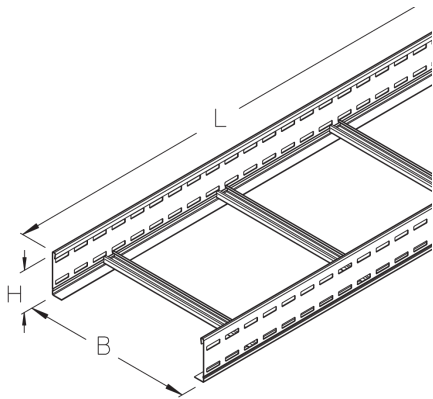


LGG 100

Cable ladder, L profile, height = 100 mm



The perforated and welded cable ladders LGG 100 have rails 100 mm high and are available in widths of 200 to 600 mm and in lengths of 3000 and 6000 mm. The rungs consist of profile rails (30 x 15 mm). We provide components in various materials and surface finishes to ensure that the corrosion requirements are met for all sorts of applications.



steel, continuously hot galvanized/Sendzimir process

Products	H	B	L	A	Q_{LK}	weight
LGG 100-20-3S	100 mm	200 mm	3000 mm	161 cm ²	0,45 kN/m	10,340 kg
LGG 100-30-3S	100 mm	300 mm	3000 mm	242 cm ²	0,68 kN/m	11,030 kg
LGG 100-40-3S	100 mm	400 mm	3000 mm	322 cm ²	0,9 kN/m	11,720 kg
LGG 100-50-3S	100 mm	500 mm	3000 mm	403 cm ²	1,13 kN/m	12,400 kg
LGG 100-60-3S	100 mm	600 mm	3000 mm	483 cm ²	1,35 kN/m	13,090 kg
LGG 100-20S	100 mm	200 mm	6000 mm	161 cm ²	0,45 kN/m	20,680 kg
LGG 100-30S	100 mm	300 mm	6000 mm	242 cm ²	0,68 kN/m	22,060 kg
LGG 100-40S	100 mm	400 mm	6000 mm	322 cm ²	0,9 kN/m	23,440 kg
LGG 100-50S	100 mm	500 mm	6000 mm	403 cm ²	1,13 kN/m	24,800 kg
LGG 100-60S	100 mm	600 mm	6000 mm	483 cm ²	1,35 kN/m	26,180 kg

steel, batch/hot-dip galvanized

Products	H	B	L	A	Q_{LK}	weight
LGG 100-20-3F	100 mm	200 mm	3000 mm	161 cm ²	0,45 kN/m	10,060 kg
LGG 100-30-3F	100 mm	300 mm	3000 mm	242 cm ²	0,68 kN/m	11,800 kg
LGG 100-40-3F	100 mm	400 mm	3000 mm	322 cm ²	0,9 kN/m	12,540 kg
LGG 100-50-3F	100 mm	500 mm	3000 mm	403 cm ²	1,13 kN/m	13,270 kg
LGG 100-60-3F	100 mm	600 mm	3000 mm	483 cm ²	1,35 kN/m	14,010 kg
LGG 100-20F	100 mm	200 mm	6000 mm	161 cm ²	0,45 kN/m	22,130 kg



PRODUCT INFORMATION

Products	H	B	L	A	Q _{LK}	weight
LGG 100-30F	100 mm	300 mm	6000 mm	242 cm ²	0,68 kN/m	23,600 kg
LGG 100-40F	100 mm	400 mm	6000 mm	322 cm ²	0,9 kN/m	25,080 kg
LGG 100-50F	100 mm	500 mm	6000 mm	403 cm ²	1,13 kN/m	26,540 kg
LGG 100-60F	100 mm	600 mm	6000 mm	483 cm ²	1,35 kN/m	28,010 kg

Stainless steel, according to ASTM 304 / BS 304 S 3

Products	H	B	L	A	Q _{LK}	weight
LGG 100-20-3E	100 mm	200 mm	3000 mm	161 cm ²	0,45 kN/m	10,299 kg
LGG 100-30-3E	100 mm	300 mm	3000 mm	242 cm ²	0,68 kN/m	10,994 kg
LGG 100-40-3E	100 mm	400 mm	3000 mm	322 cm ²	0,9 kN/m	11,679 kg
LGG 100-50-3E	100 mm	500 mm	3000 mm	403 cm ²	1,13 kN/m	12,379 kg
LGG 100-60-3E	100 mm	600 mm	3000 mm	483 cm ²	1,35 kN/m	13,034 kg
LGG 100-20E	100 mm	200 mm	6000 mm	161 cm ²	0,45 kN/m	20,880 kg
LGG 100-30E	100 mm	300 mm	6000 mm	242 cm ²	0,68 kN/m	22,260 kg
LGG 100-40E	100 mm	400 mm	6000 mm	322 cm ²	0,9 kN/m	23,640 kg
LGG 100-50E	100 mm	500 mm	6000 mm	403 cm ²	1,13 kN/m	25,030 kg
LGG 100-60E	100 mm	600 mm	6000 mm	483 cm ²	1,35 kN/m	26,410 kg

Stainless steel, according to ASTM 316 Ti / AISI 316 L, BS 320S17 / BS 316S11

Products	H	B	L	A	Q _{LK}	weight
LGG 100-20-3E4	100 mm	200 mm	3000 mm	161 cm ²	0,45 kN/m	10,299 kg
LGG 100-30-3E4	100 mm	300 mm	3000 mm	242 cm ²	0,68 kN/m	10,994 kg
LGG 100-40-3E4	100 mm	400 mm	3000 mm	322 cm ²	0,9 kN/m	11,679 kg
LGG 100-50-3E4	100 mm	500 mm	3000 mm	403 cm ²	1,13 kN/m	12,379 kg
LGG 100-60-3E4	100 mm	600 mm	3000 mm	483 cm ²	1,35 kN/m	13,034 kg
LGG 100-20E4	100 mm	200 mm	6000 mm	161 cm ²	0,45 kN/m	20,880 kg
LGG 100-30E4	100 mm	300 mm	6000 mm	242 cm ²	0,68 kN/m	22,280 kg
LGG 100-40E4	100 mm	400 mm	6000 mm	322 cm ²	0,9 kN/m	22,280 kg
LGG 100-50E4	100 mm	500 mm	6000 mm	403 cm ²	1,13 kN/m	25,030 kg
LGG 100-60E4	100 mm	600 mm	6000 mm	483 cm ²	1,35 kN/m	26,410 kg



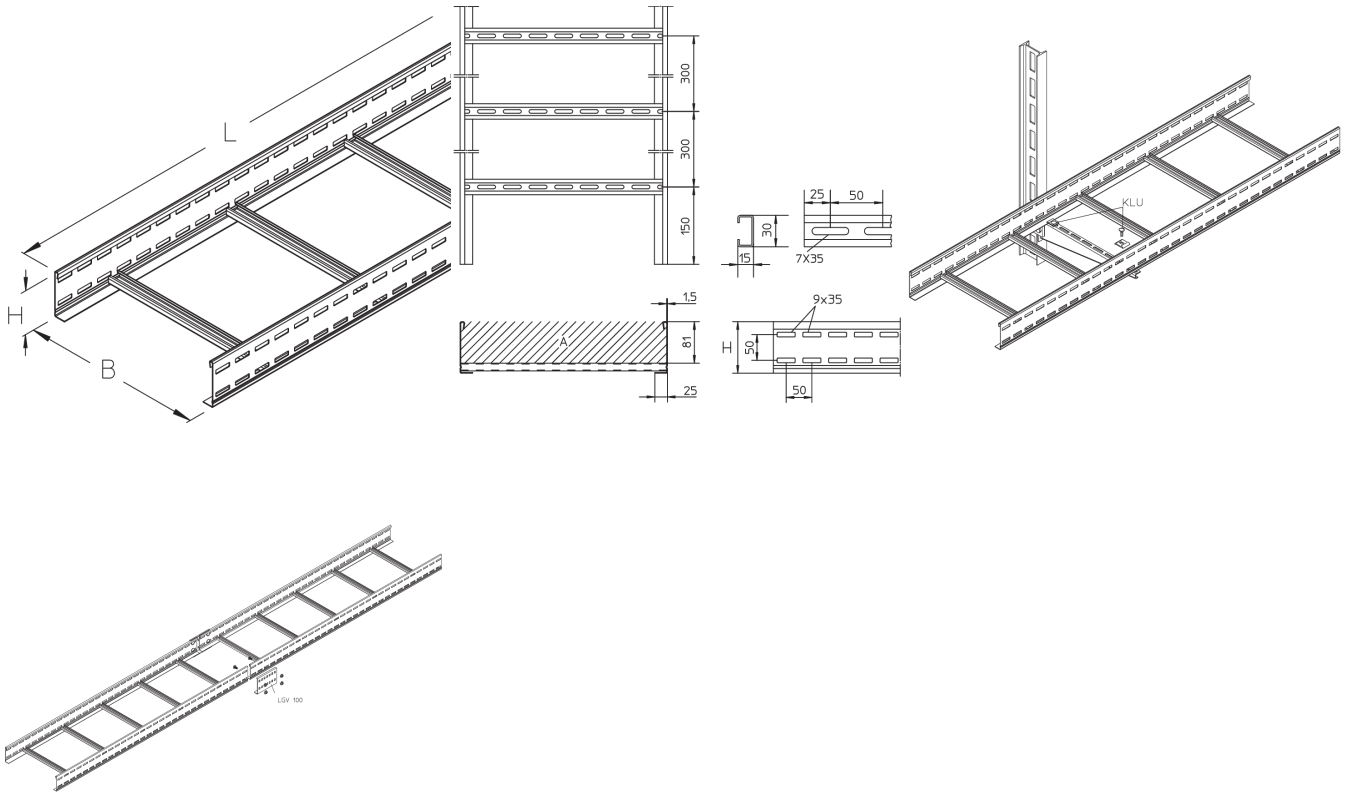
PohlCon GmbH
 Nobelstraße 51 | 12057 Berlin
 Telefon: +49 30 68283-04 | Fax: +49 30 68283-383 | contact@pohlcon.com



PRODUCT INFORMATION

H: height
B: width
L: length
A: cross section area
Q_{LK}:

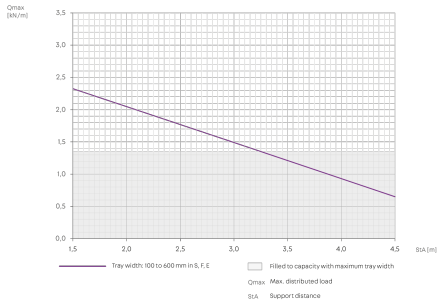
DETAIL AND APPLICATION IMAGES



LOAD DIAGRAM



PRODUCT INFORMATION



OPTIONAL ACCESSORIES

LGIB 100, LGAB 100, LGAA 100, LGA 100, LGK 100, LGVB 100, LGV 100, LGVH 100, LGVV 100, LGTR 100, SL 100, LGKAB, H, LD, LDR

