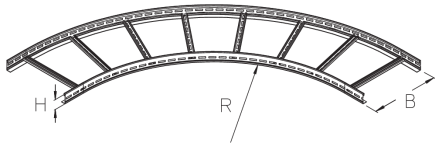


LGAB 60

Cable ladder external bend, height = 60 mm



The cable ladder external bend LGAB 60 allows the direction of cable routing to be changed horizontally by 90°. They are suitable for cable ladders with rails 60 mm high and are 200 to 600 mm wide. The bend is mounted on the cable ladders using LGV side connectors (please order separately). The inner radius of the LGAB cable ladder external bend varies between 700 and 1100 mm depending on the width and is greater than that of the LGIB cable ladder internal bend. The cable ladder can thus be guided more widely around curves depending on the circumstances. We provide components in various materials and surface finishes to ensure that the corrosion requirements are met for all sorts of applications.

steel, batch/hot-dip galvanized

Products	H	B	R			W
LGAB 60-20F	60 mm	200 mm	700 mm	90 °	HORIZONTAL	4,390 kg
LGAB 60-30F	60 mm	300 mm	800 mm	90 °	HORIZONTAL	5,380 kg
LGAB 60-40F	60 mm	400 mm	900 mm	90 °	HORIZONTAL	6,950 kg
LGAB 60-50F	60 mm	500 mm	1000 mm	90 °	HORIZONTAL	8,090 kg
LGAB 60-60F	60 mm	600 mm	1100 mm	90 °	HORIZONTAL	9,230 kg

Stainless steel, according to ASTM 304 / BS 304 S 3

Products	H	B	R			W
LGAB 60-20E	60 mm	200 mm	700 mm	90 °	HORIZONTAL	4,140 kg
LGAB 60-30E	60 mm	300 mm	800 mm	90 °	HORIZONTAL	5,060 kg
LGAB 60-40E	60 mm	400 mm	900 mm	90 °	HORIZONTAL	6,540 kg
LGAB 60-50E	60 mm	500 mm	1000 mm	90 °	HORIZONTAL	7,610 kg
LGAB 60-60E	60 mm	600 mm	1100 mm	90 °	HORIZONTAL	8,680 kg

H: height

B: width

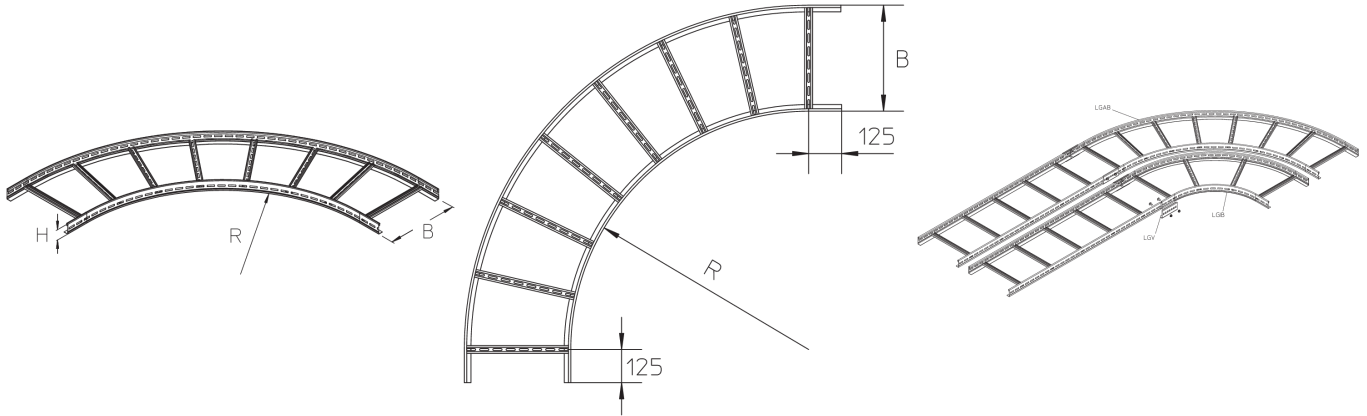
R: radius

W: Weight per storage unit



PRODUCT INFORMATION

DETAIL AND APPLICATION IMAGES



OPTIONAL ACCESSORIES

LGV 60, LGVH 60, LGVV 60, LGTRV 60

