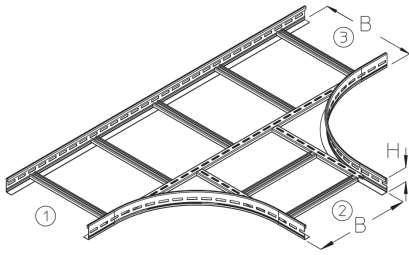


LGA 60

Cable ladder branch, height = 60 mm



The LGA 60 T-shaped cable ladder branch allows the direction of the cable routing to be changed in the form of a branch. It is inserted between two cable ladders and enables another cable ladder to be connected at right angles. The cable ladder branch is suitable for cable ladders with rails 60 mm high and is 200 to 600 mm wide. We provide components in various materials and surface finishes to ensure that the corrosion requirements are met for all sorts of applications.

steel, batch/hot-dip galvanized

Products	H	B	R	W
LGA 60-20F	60 mm	200 mm	400 mm	4,690 kg
LGA 60-30F	60 mm	300 mm	400 mm	5,390 kg
LGA 60-40F	60 mm	400 mm	400 mm	6,100 kg
LGA 60-50F	60 mm	500 mm	400 mm	6,800 kg
LGA 60-60F	60 mm	600 mm	400 mm	7,510 kg

Stainless steel, according to ASTM 304 / BS 304 S 3

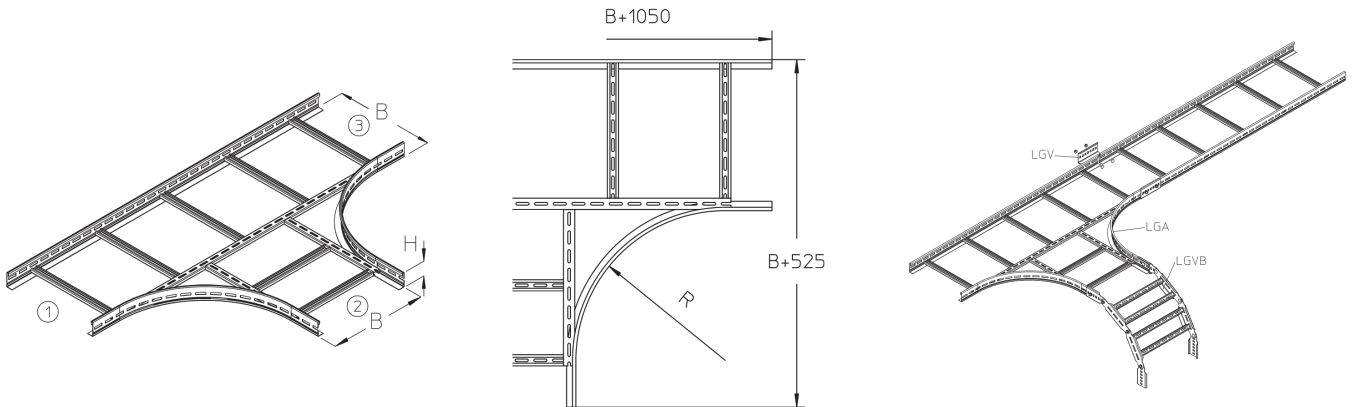
Products	H	B	R	W
LGA 60-20E	60 mm	200 mm	400 mm	4,410 kg
LGA 60-30E	60 mm	300 mm	400 mm	5,070 kg
LGA 60-40E	60 mm	400 mm	400 mm	5,740 kg
LGA 60-50E	60 mm	500 mm	400 mm	6,400 kg
LGA 60-60E	60 mm	600 mm	400 mm	7,060 kg

H: height
B: width
R: radius
W: Weight per storage unit



PRODUCT INFORMATION

DETAIL AND APPLICATION IMAGES



OPTIONAL ACCESSORIES

LGV 60, LGVH 60, LGVV 60, LGTRV 60, LAD, LADR

