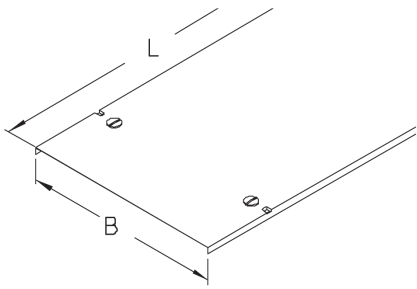


## LDR

### Cable ladder cover with turning bolts



The cable ladder covers LDR are suitable for all cable ladders and protect them from external influences such as dirt and moisture. They are placed on top of the cable ladder and also have turning bolts for additional attachment to the ladder. If the covers are to be used outdoors, additional securing brackets to protect against wind are required. In this case, the twist lock alone is not sufficient as a retaining element. The cover is between 206 and 606 mm wide corresponding to the ladder and has a standard length of 3000 mm. We provide components in various materials and surface finishes to ensure that the corrosion requirements are met for all sorts of applications.

### steel, continuously hot galvanized/Senzimir process

Products	B	L	t	weight
LDR 20S	209 mm	3000 mm	0,75 mm	4,230 kg
LDR 30S	309 mm	3000 mm	1,00 mm	7,960 kg
LDR 40S	409 mm	3000 mm	1,00 mm	10,320 kg
LDR 50S	509 mm	3000 mm	1,25 mm	15,810 kg
LDR 60S	609 mm	3000 mm	1,25 mm	18,760 kg

### steel, batch/hot-dip galvanized

Products	B	L	t	weight
LDR 20F	209 mm	3000 mm	0,75 mm	4,530 kg
LDR 30F	309 mm	3000 mm	1,00 mm	8,520 kg
LDR 40F	409 mm	3000 mm	1,00 mm	11,040 kg
LDR 50F	509 mm	3000 mm	1,25 mm	16,910 kg
LDR 60F	609 mm	3000 mm	1,25 mm	20,060 kg

### Stainless steel, according to ASTM 304 / BS 304 S 3

Products	B	L	t	weight
LDR 20E	209 mm	3000 mm	0,80 mm	4,540 kg



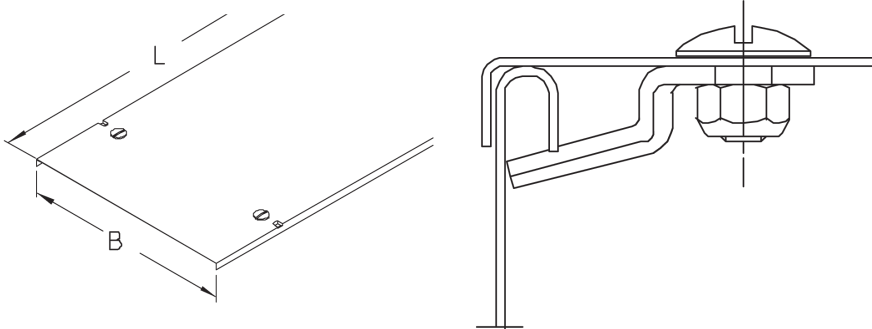
# PRODUCT INFORMATION

---

Products	B	L	t	weight
LDR 30E	309 mm	3000 mm	1,00 mm	8,010 kg
LDR 40E	409 mm	3000 mm	1,00 mm	10,380 kg
LDR 50E	506 mm	3000 mm	1,25 mm	15,920 kg
LDR 60E	609 mm	3000 mm	1,25 mm	18,870 kg

**B:** width  
**L:** length  
**t:** material thickness

## DETAIL AND APPLICATION IMAGES



## OPTIONAL ACCESSORIES

LD-SW

