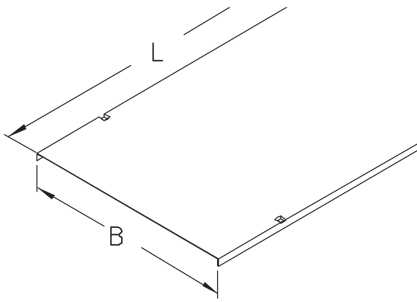


LD

Cable ladder cover



The cable ladder covers LD are suitable for all cable ladders and protect them from external influences such as dirt and moisture. They are placed on top of the cable ladders. If the covers are to be used outdoors, additional securing brackets to protect against wind are required. The cover is between 206 and 606 mm wide corresponding to the ladder and has a standard length of 3000 mm. We provide components in various materials and surface finishes to ensure that the corrosion requirements are met for all sorts of applications.

steel, continuously hot galvanized/Senzimir process

Products	B	L	t	W
LD 20S	206 mm	3000 mm	0,75 mm	4,110 kg
LD 30S	306 mm	3000 mm	1,00 mm	7,840 kg
LD 40S	406 mm	3000 mm	1,00 mm	10,190 kg
LD 50S	506 mm	3000 mm	1,25 mm	15,690 kg
LD 60S	606 mm	3000 mm	1,25 mm	18,630 kg

steel, batch/hot-dip galvanized

Products	B	L	t	W
LD 20F	206 mm	3000 mm	0,75 mm	4,400 kg
LD 30F	306 mm	3000 mm	1,00 mm	8,390 kg
LD 40F	406 mm	3000 mm	1,00 mm	10,910 kg
LD 50F	506 mm	3000 mm	1,25 mm	16,780 kg
LD 60F	606 mm	3000 mm	1,25 mm	19,930 kg

Stainless steel, according to ASTM 304 / BS 304 S 3

Products	B	L	t	W
LD 20E	206 mm	3000 mm	0,80 mm	4,420 kg

Page 1

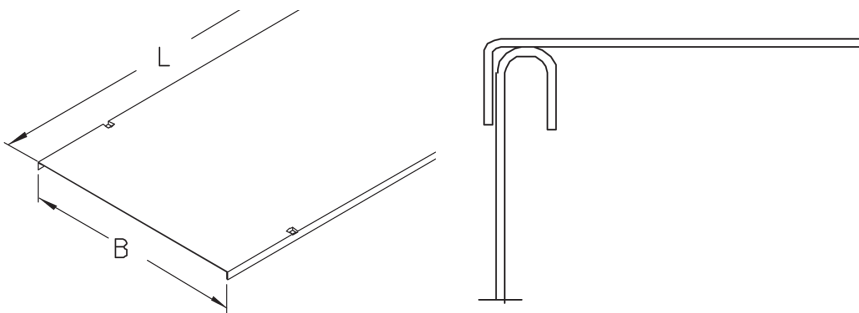


PRODUCT INFORMATION

Products	B	L	t	W
LD 30E	306 mm	3000 mm	1,00 mm	7,890 kg
LD 40E	406 mm	3000 mm	1,00 mm	10,260 kg
LD 50E	506 mm	3000 mm	1,25 mm	15,790 kg
LD 60E	606 mm	3000 mm	1,25 mm	18,750 kg

B: width
L: length
t: material thickness
W: Weight per storage unit

DETAIL AND APPLICATION IMAGES



OPTIONAL ACCESSORIES

LD-SW

