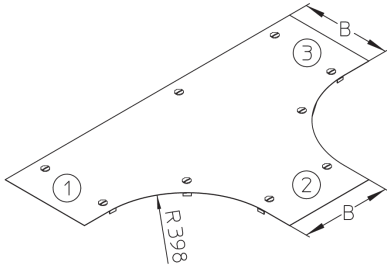


LADR

Cable ladder branch cover with turning bolts



The cable ladder branch covers LADR are suitable for T-shaped cable ladder branches and protect them from external influences such as dirt and moisture. They are placed on top of the branches and also have turning bolts for additional attachment. If the covers are to be used outdoors, additional securing brackets to protect against wind are required. In this case, the twist lock alone is not sufficient as a retaining element. We provide components in various materials and surface finishes to ensure that the corrosion requirements are met for all sorts of applications.

steel, continuously hot galvanized/Sendzimir process

Products	B	R	t	W
LADR 20S	204 mm	398 mm	0,75 mm	2,730 kg
LADR 30S	304 mm	398 mm	1,00 mm	5,200 kg
LADR 40S	404 mm	398 mm	1,00 mm	6,990 kg
LADR 50S	504 mm	398 mm	1,25 mm	11,110 kg
LADR 60S	604 mm	398 mm	1,25 mm	13,740 kg

steel, batch/hot-dip galvanized

Products	B	R	t	W
LADR 20F	204 mm	398 mm	0,75 mm	2,910 kg
LADR 30F	304 mm	398 mm	1,00 mm	5,560 kg
LADR 40F	404 mm	398 mm	1,00 mm	7,470 kg
LADR 50F	504 mm	398 mm	1,25 mm	11,890 kg
LADR 60F	604 mm	398 mm	1,25 mm	14,700 kg

Stainless steel, according to ASTM 304 / BS 304 S 3

Products	B	R	t	W
LADR 20E	204 mm	398 mm	0,80 mm	2,910 kg

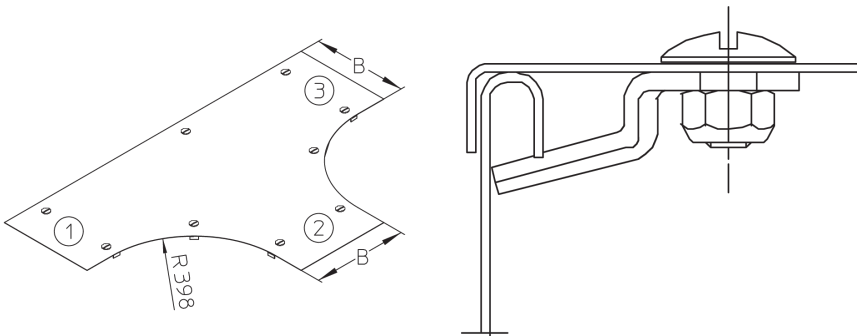


PRODUCT INFORMATION

Products	B	R	t	W
LADR 30E	304 mm	398 mm	1,00 mm	5,230 kg
LADR 40E	404 mm	398 mm	1,00 mm	7,030 kg
LADR 50E	504 mm	398 mm	1,25 mm	11,180 kg
LADR 60E	604 mm	398 mm	1,25 mm	13,830 kg

B: width
R: radius
t: material thickness
W: Weight per storage unit

DETAIL AND APPLICATION IMAGES



OPTIONAL ACCESSORIES

LD-SW

