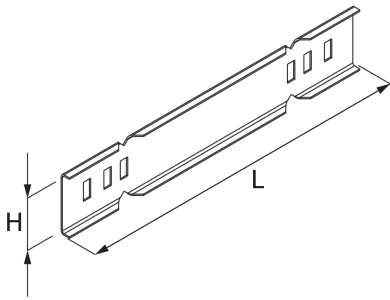


LAB 60

Cable ladder end plate



The cable ladder can be closed using the cable ladder end plate LAB 60. For this purpose, the cable ladder end plate is bent into a U-shape, pushed onto the cable ladder and screwed in place. The Z-shaped bent end plate can also be used to reduce the size of the cable ladder in accordance with the installation instructions. The cable ladder end plate LAB 60 has a height of 60 mm corresponding to the ladder and widths of 50 to 600 mm. Various materials and surfaces ensure that the corrosion requirements of a wide range of applications are met.

steel, continuously hot galvanized/Sendzimir process

Products	H	B	L	W
LAB 60-05S	60 mm	50 mm	203 mm	0,200 kg
incl.:				
2 × FRSV 8X16, 2 × SEMS 6				
LAB 60-10S	60 mm	100 mm	253 mm	0,245 kg
incl.:				
2 × FRSV 8X16, 2 × SEMS 6				
LAB 60-15S	60 mm	150 mm	303 mm	0,291 kg
incl.:				
2 × FRSV 8X16, 2 × SEMS 6				
LAB 60-20S	60 mm	200 mm	353 mm	0,337 kg
incl.:				
2 × FRSV 8X16, 2 × SEMS 6				
LAB 60-30S	60 mm	300 mm	453 mm	0,429 kg
incl.:				
2 × FRSV 8X16, 2 × SEMS 6				
LAB 60-40S	60 mm	400 mm	553 mm	0,521 kg
incl.:				
2 × FRSV 8X16, 2 × SEMS 6				
LAB 60-50S	60 mm	500 mm	653 mm	0,614 kg
incl.:				
2 × FRSV 8X16, 2 × SEMS 6				

Page 1



PRODUCT INFORMATION

Products	H	B	L	W
LAB 60-60S	60 mm	600 mm	753 mm	0,705 kg
incl.:				
2 × FRSV 8X16, 2 × SEMS 6				

steel, batch/hot-dip galvanized

Products	H	B	L	W
LAB 60-05F	60 mm	50 mm	203 mm	0,211 kg
incl.:				
2 × FRSV 8X16E, 2 × SEMS 6E				
LAB 60-10F	60 mm	100 mm	253 mm	0,260 kg
incl.:				
2 × FRSV 8X16E, 2 × SEMS 6E				
LAB 60-15F	60 mm	150 mm	303 mm	0,309 kg
incl.:				
2 × FRSV 8X16E, 2 × SEMS 6E				
LAB 60-20F	60 mm	200 mm	353 mm	0,358 kg
incl.:				
2 × FRSV 8X16E, 2 × SEMS 6E				
LAB 60-30F	60 mm	300 mm	453 mm	0,457 kg
incl.:				
2 × FRSV 8X16E, 2 × SEMS 6E				
LAB 60-40F	60 mm	400 mm	553 mm	0,555 kg
incl.:				
2 × FRSV 8X16E, 2 × SEMS 6E				
LAB 60-50F	60 mm	500 mm	653 mm	0,654 kg
incl.:				
2 × FRSV 8X16E, 2 × SEMS 6E				
LAB 60-60F	60 mm	600 mm	753 mm	0,752 kg
incl.:				
2 × FRSV 8X16E, 2 × SEMS 6E				

Page 2



PohlCon GmbH
Nobelstraße 51 | 12057 Berlin
Telefon: +49 30 68283-04 | Fax: +49 30 68283-383 | contact@pohlcon.com



PRODUCT INFORMATION

Stainless steel, according to ASTM 304 / BS 304 S 3

Products	H	B	L	W
LAB 60-05E	60 mm	50 mm	203 mm	0,201 kg
incl.: 2 × FRSV 8X16E, 2 × SEMS 6E				
LAB 60-10E	60 mm	100 mm	253 mm	0,247 kg
incl.: 2 × FRSV 8X16E, 2 × SEMS 6E				
LAB 60-15E	60 mm	150 mm	303 mm	0,293 kg
incl.: 2 × FRSV 8X16E, 2 × SEMS 6E				
LAB 60-20E	60 mm	200 mm	353 mm	0,339 kg
incl.: 2 × FRSV 8X16E, 2 × SEMS 6E				
LAB 60-30E	60 mm	300 mm	453 mm	0,432 kg
incl.: 2 × FRSV 8X16E, 2 × SEMS 6E				
LAB 60-40E	60 mm	400 mm	553 mm	0,524 kg
incl.: 2 × FRSV 8X16E, 2 × SEMS 6E				
LAB 60-50E	60 mm	500 mm	653 mm	0,617 kg
incl.: 2 × FRSV 8X16E, 2 × SEMS 6E				
LAB 60-60E	60 mm	600 mm	753 mm	0,710 kg
incl.: 2 × FRSV 8X16E, 2 × SEMS 6E				

H: height

B: width

L: Length

W: Weight per storage unit

DETAIL AND APPLICATION IMAGES

Page 3



PohlCon GmbH
Nobelstraße 51 | 12057 Berlin
Telefon: +49 30 68283-04 | Fax: +49 30 68283-383 | contact@pohlcon.com



PRODUCT INFORMATION

