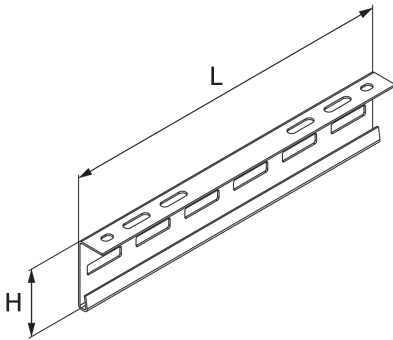


KWW

Wall bracket, standard

The wall bracket KWW serves as a crossbeam either directly on the building structure and fixed using dowels or on two bracket supports (pendulum suspension). They are made of hot-dip galvanized steel. Use the outer slots of the profile for mounting.



steel, batch/hot-dip galvanized

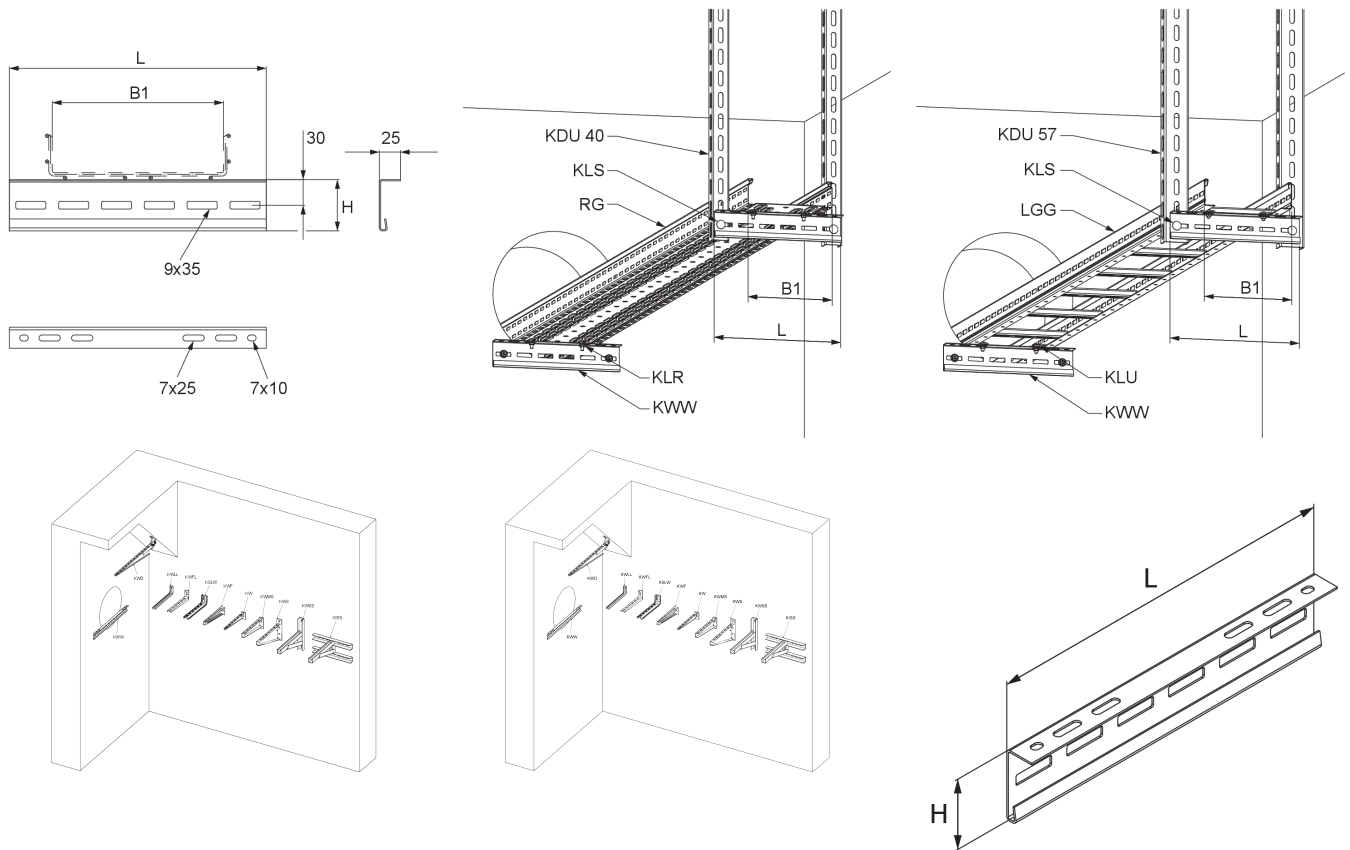
Products	H	B1	L	W
KWW 020F	60 mm	100 mm	200 mm	0,226 kg
KWW 030F	60 mm	200 mm	300 mm	0,344 kg
KWW 040F	60 mm	300 mm	400 mm	0,462 kg
KWW 050F	60 mm	400 mm	500 mm	0,580 kg
KWW 060F	60 mm	500 mm	600 mm	0,698 kg
KWW 070F	60 mm	600 mm	700 mm	0,816 kg
KWW 080F	60 mm	700 mm	800 mm	0,935 kg

H: height
B1: width
L: length
W: Weight per storage unit

DETAIL AND APPLICATION IMAGES



PRODUCT INFORMATION



OPTIONAL ACCESSORIES

SD, KLU, KLR, GB

