

KWLL

Wall bracket, light

The wall bracket KWLL is intended for maximum loads of up to 0.3 kN and is ideal for mesh cable trays and cable trays up to 300 mm wide. The cable tray is fastened with KLR 6x25, the mesh cable tray with KLU-L, FRS 6x25 and SEMS 6. The wall bracket consists of a profile rail 30 x 15 mm with a slot 16 mm wide. We provide components in various materials and surface finishes to ensure that the corrosion requirements are met for all sorts of applications. F_D/P : factor for calculating the dowel load F_D with the actual bracket load P or the sum of the actual bracket loads.

steel, continuously hot galvanized/Senzimir process

Products	H	B1	B2	L	P_{max}	F_D/P	weight
KWLL 010S	80 mm	100 mm	110 mm	125 mm	0,30 kN	2,00	0,128 kg
KWLL 020S	80 mm	200 mm	210 mm	225 mm	0,30 kN	3,00	0,198 kg
KWLL 030S	80 mm	300 mm	310 mm	325 mm	0,30 kN	4,00	0,268 kg

Stainless steel, according to ASTM 304 / BS 304 S 3

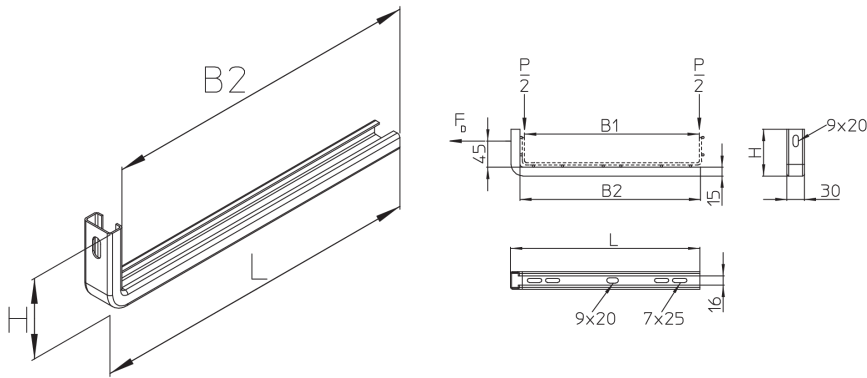
Products	H	B1	B2	L	P_{max}	F_D/P	weight
KWLL 010E	80 mm	100 mm	110 mm	125 mm	0,30 kN	2,00	0,128 kg
KWLL 020E	80 mm	200 mm	210 mm	225 mm	0,30 kN	3,00	0,198 kg
KWLL 030E	80 mm	300 mm	310 mm	325 mm	0,30 kN	4,00	0,268 kg

H: height
B1: width
B2: width
L: length
 P_{max} : maximum load
 F_D/P : dowel-to-anchor load

DETAIL AND APPLICATION IMAGES



PRODUCT INFORMATION



OPTIONAL ACCESSORIES

SD, KLR

