

KWFL

Wall / strut bracket, shallow

The wall/handle bracket KWFL with welded-on back plate is suitable for mesh cable trays, cable trays and cable ladders with track widths of up to 600 mm. The particularly low installation height is suitable for installation situations with limited leeway. Various materials and surfaces ensure that the corrosion requirements of a wide range of applications are met.

The bracket KWFL is also used as a support bracket in the U-Handle system. FD/P: Factor for calculating the dowel load F_D with actual bracket load P or sum of actual bracket loads. The load specifications are only valid with sufficient anchoring to the load-bearing substrate or with correct installation on suspended standards.

steel, galvanic zinc plated

Products	H	B1	B2	L	P_{max}	F_D/P	W
KWFL 010GV	70 mm	100 mm	120 mm	125 mm	2,05 kN	1,93	0,242 kg
KWFL 020GV	70 mm	200 mm	220 mm	225 mm	1,64 kN	2,92	0,369 kg
KWFL 030GV	90 mm	300 mm	320 mm	325 mm	1,55 kN	2,85	0,553 kg
KWFL 040GV	90 mm	400 mm	420 mm	425 mm	1,47 kN	3,55	0,718 kg
KWFL 050GV	110 mm	500 mm	520 mm	527 mm	1,29 kN	3,37	0,988 kg
KWFL 060GV	110 mm	600 mm	620 mm	627 mm	1,05 kN	4,50	1,190 kg

steel, batch/hot-dip galvanized

Products	H	B1	B2	L	P_{max}	F_D/P	W
KWFL 010F	70 mm	100 mm	120 mm	125 mm	2,05 kN	1,93	0,259 kg
KWFL 020F	70 mm	200 mm	220 mm	225 mm	1,64 kN	2,92	0,395 kg
KWFL 030F	90 mm	300 mm	320 mm	325 mm	1,55 kN	2,85	0,592 kg
KWFL 040F	90 mm	400 mm	420 mm	425 mm	1,47 kN	3,55	0,768 kg
KWFL 050F	110 mm	500 mm	520 mm	527 mm	1,29 kN	3,37	1,057 kg
KWFL 060F	110 mm	600 mm	620 mm	627 mm	1,05 kN	4,50	1,273 kg



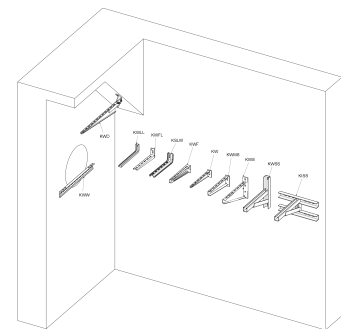
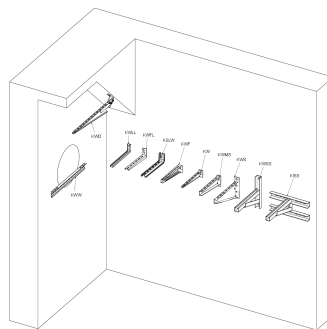
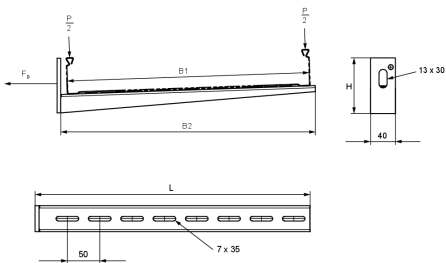
PRODUCT INFORMATION

Stainless steel, according to ASTM 304 / BS 304 S 3

Products	H	B1	B2	L	P_{max}	F_D/P	W
KWFL 010E	70 mm	100 mm	120 mm	125 mm	2,05 kN	1,93	0,246 kg
KWFL 020E	70 mm	200 mm	220 mm	225 mm	1,64 kN	2,92	0,375 kg
KWFL 030E	90 mm	300 mm	320 mm	325 mm	1,55 kN	2,85	0,559 kg
KWFL 040E	90 mm	400 mm	420 mm	425 mm	1,47 kN	3,55	0,726 kg
KWFL 050E	110 mm	500 mm	520 mm	527 mm	1,29 kN	3,37	1,015 kg
KWFL 060E	110 mm	600 mm	620 mm	627 mm	1,05 kN	4,50	1,219 kg

H: height
B1: width 1
B2: width 2
L: length
 P_{max} : maximum load
 F_D/P : dowel-to-anchor load
W: Weight per storage unit

DETAIL AND APPLICATION IMAGES



PRODUCT INFORMATION

