

## KWF

### Wall/strut bracket, light

The wall/strut bracket KWF is intended for maximum loads of up to 1.2 kN and is ideal for mesh cable trays and cable trays up to 400 mm wide. We provide components in various materials and surface finishes to ensure that the corrosion requirements are met for all sorts of applications. The bracket KWF is also used as a strut bracket in the U support system. FD/P: factor for calculating the dowel load FD with the actual bracket load P or the sum of the actual bracket loads. The stated load values only apply if the product is adequately anchored to the force-absorbing substrate or is attached to suspension struts in accordance with the instructions. The washer is mandatory to achieve the maximum loads.

#### steel, continuously hot galvanized/Sendzimir process

Products	H	B1	B2	L	P <sub>max</sub>	F <sub>D</sub> /P	weight
KWF 010S	80 mm	100 mm	120 mm	120 mm	1,20 kN	1,58	0,210 kg
incl.:							
1 × US 10X30							
KWF 020S	80 mm	200 mm	220 mm	220 mm	1,20 kN	2,33	0,286 kg
incl.:							
1 × US 10X30							
KWF 030S	80 mm	300 mm	320 mm	320 mm	1,20 kN	3,15	0,432 kg
incl.:							
1 × US 10X30							
KWF 040S	80 mm	400 mm	420 mm	420 mm	1,20 kN	3,99	0,497 kg
incl.:							
1 × US 10X30							

#### steel, batch/hot-dip galvanized

Products	H	B1	B2	L	P <sub>max</sub>	F <sub>D</sub> /P	weight
KWF 010F	80 mm	100 mm	120 mm	120 mm	1,20 kN	1,58	0,235 kg
incl.:							
1 × US 10X30F							

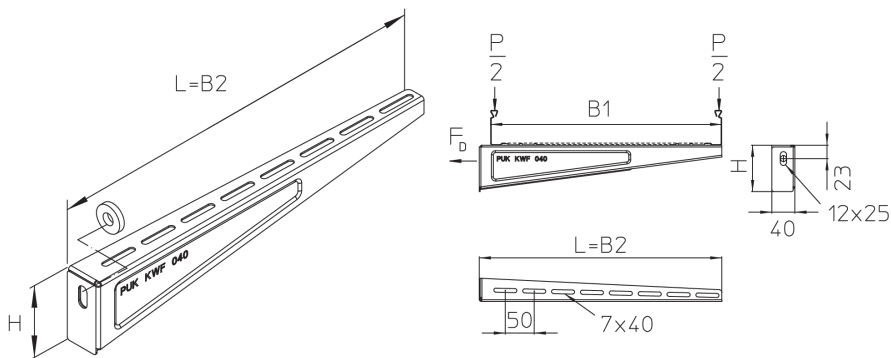


# PRODUCT INFORMATION

Products	H	B1	B2	L	$P_{max}$	$F_D/P$	weight
KWF 020F	80 mm	200 mm	220 mm	220 mm	1,20 kN	2,33	0,317 kg
incl.: 1 x US 10X30F							
KWF 030F	80 mm	300 mm	320 mm	320 mm	1,20 kN	3,15	0,473 kg
incl.: 1 x US 10X30F							
KWF 040F	80 mm	400 mm	420 mm	420 mm	1,20 kN	3,99	0,543 kg
incl.: 1 x US 10X30F							

**H:** height  
**B1:** width  
**B2:** width  
**L:** length  
 **$P_{max}$ :** maximum load  
 **$F_D/P$ :** dowel-to-anchor load

## DETAIL AND APPLICATION IMAGES



## OPTIONAL ACCESSORIES

KDU 57, KHU 57, KDU 40, KHU 40, KLU, KLR

