

KW-BS

Wall/strut bracket, standard, maintenance of function



steel, batch/hot-dip galvanized

Products	H	B	B1	B2	L	W
KW-BS 010F	45 mm	40 mm	100 mm	120 mm	124 mm	0,130 kg
KW-BS 020F	70 mm	40 mm	200 mm	220 mm	225 mm	0,320 kg
KW-BS 030F	70 mm	40 mm	300 mm	320 mm	326 mm	0,438 kg
KW-BS 040F	90 mm	40 mm	400 mm	420 mm	426 mm	0,751 kg

H: height

B: width

B1: width

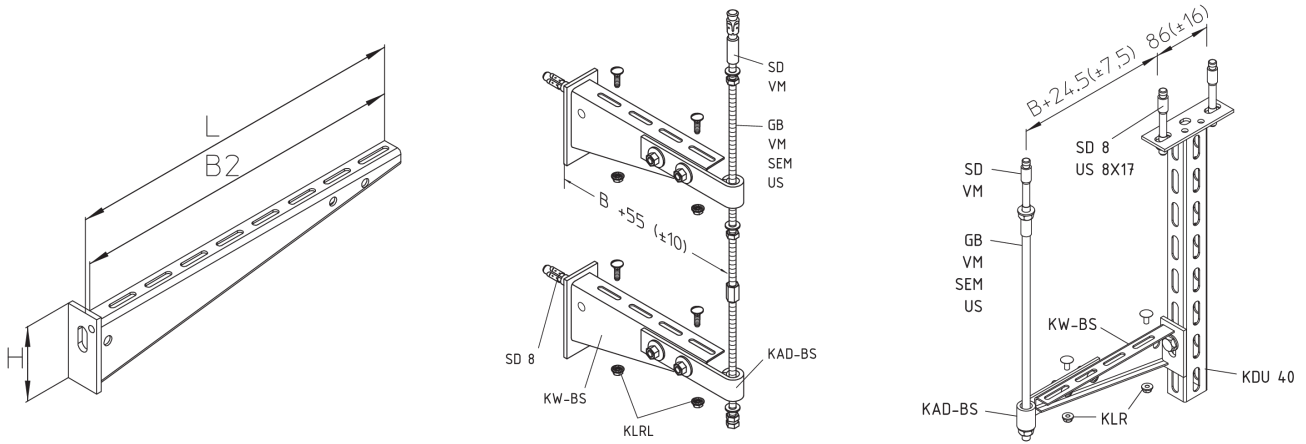
B2: width

L: length

W: Weight per storage unit

DETAIL AND APPLICATION IMAGES





OPTIONAL ACCESSORIES

KAW-BS, W-BS, SD, SAZ, KLU, KLR, GB, VM

