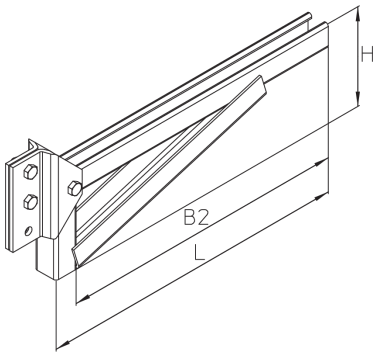


KTSS

Bracket, very heavy, KDI/KHI

The bracket KTSS is attached to bracket holder KDI or KHI and is designed for maximum loads of up to 12 kN. They are made of hot-dip galvanized steel.

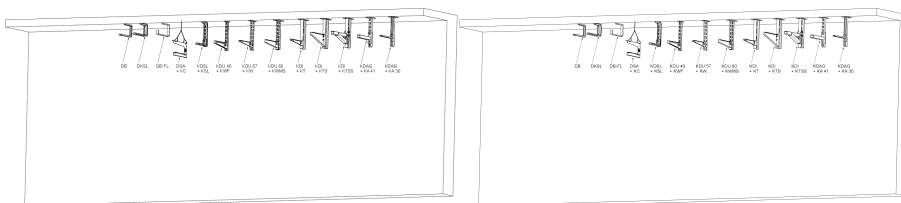


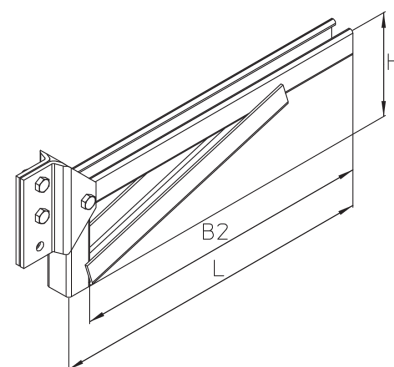
steel, batch/hot-dip galvanized

Products	H	B1	B2	L	P _{max}	W
KTSS 020F	100 mm	200 mm	280 mm	321 mm	12,00 kN	2,595 kg
KTSS 030F	135 mm	300 mm	380 mm	421 mm	12,00 kN	3,195 kg
KTSS 040F	165 mm	400 mm	480 mm	521 mm	12,00 kN	3,775 kg
KTSS 050F	200 mm	500 mm	580 mm	621 mm	12,00 kN	4,365 kg
KTSS 060F	230 mm	600 mm	680 mm	721 mm	12,00 kN	4,685 kg

H: height
B1: width
B2: width
L: length
P_{max}: maximum load
W: Weight per storage unit

DETAIL AND APPLICATION IMAGES





OPTIONAL ACCESSORIES

WPHS-A, WLHS, WLKLA

