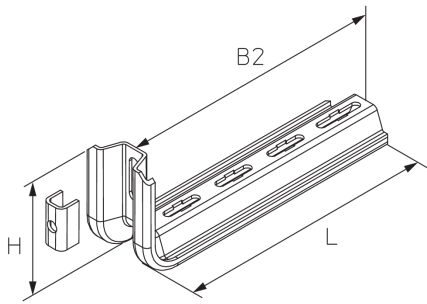


## KSLW

### Wall bracket, light



The wall bracket KSLW is intended for maximum loads of up to 1.3 kN and is ideal for mesh cable trays and cable trays up to 400 mm wide. It consists of a centrally perforated W/trapezoidal profile 60 x 20 mm. We provide components in various materials and surface finishes to ensure that the corrosion requirements are met for all sorts of applications. The KSL-SP spacer must be installed to prevent deformation of the profile due to the preload force of the fastening element. FD/P: factor for calculating the dowel load FD with the actual bracket load P or the sum of the actual bracket loads.

### steel, continuously hot galvanized/Sendzimir process

Products	H	B1	B2	L	$P_{max}$	$F_D/P$	weight
KSLW 010S	90 mm	100 mm	120 mm	145 mm	1,30 kN	2,80	0,390 kg
KSLW 015S	90 mm	150 mm	170 mm	195 mm	1,00 kN	3,40	0,470 kg
KSLW 020S	90 mm	200 mm	220 mm	245 mm	0,90 kN	4,10	0,560 kg
KSLW 025S	90 mm	250 mm	270 mm	295 mm	0,70 kN	4,80	0,640 kg
KSLW 030S	90 mm	300 mm	320 mm	345 mm	0,60 kN	5,50	0,720 kg
KSLW 040S	90 mm	400 mm	420 mm	445 mm	0,50 kN	6,90	0,890 kg
KSLW 050S	90 mm	500 mm	520 mm	545 mm	7,70	1,060 kg	
KSLW 060S	90 mm	600 mm	620 mm	645 mm	9,20	1,210 kg	

### steel, batch/hot-dip galvanized

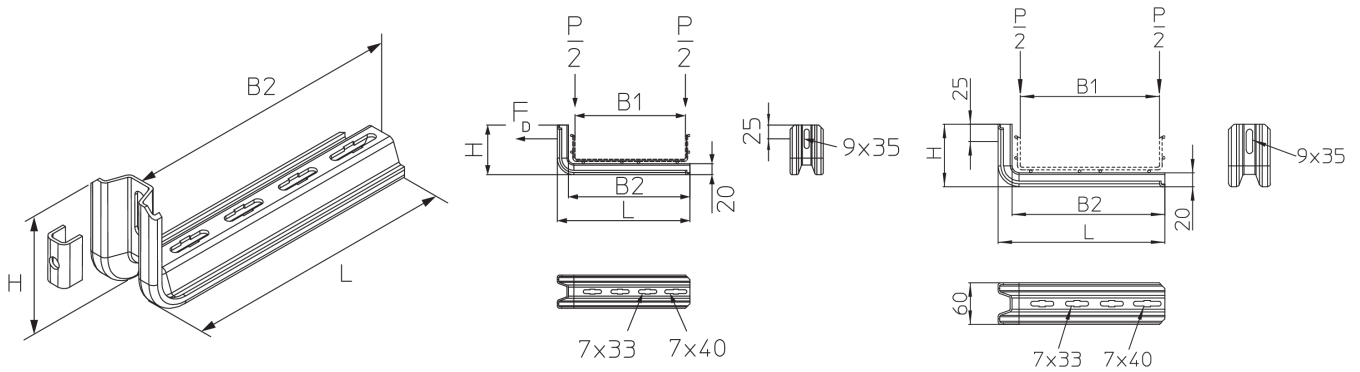
Products	H	B1	B2	L	$P_{max}$	$F_D/P$	weight
KSLW 010F	90 mm	100 mm	120 mm	145 mm	1,30 kN	2,80	0,410 kg
KSLW 015F	90 mm	150 mm	170 mm	195 mm	1,00 kN	3,40	0,500 kg
KSLW 020F	90 mm	200 mm	220 mm	245 mm	0,90 kN	4,10	0,590 kg
KSLW 025F	90 mm	250 mm	270 mm	295 mm	0,70 kN	4,80	0,680 kg
KSLW 030F	90 mm	300 mm	320 mm	345 mm	0,60 kN	5,50	0,760 kg
KSLW 040F	90 mm	400 mm	420 mm	445 mm	0,50 kN	6,90	0,950 kg
KSLW 050F	90 mm	500 mm	520 mm	545 mm	7,70	1,130 kg	
KSLW 060F	90 mm	600 mm	620 mm	645 mm	9,20	1,290 kg	



# PRODUCT INFORMATION

**H:** height  
**B1:** width  
**B2:** width  
**L:** length  
**P<sub>max</sub>:** maximum load  
**F<sub>D</sub>/P:** dowel-to-anchor load

## DETAIL AND APPLICATION IMAGES



## OPTIONAL ACCESSORIES

SD, KLRL, KLU, KSL-SP

