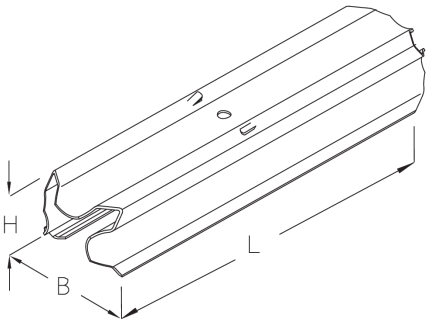


PRODUCT INFORMATION

KPV

KPR connector

The KPR connector KPV is used to connect two KPR support rails for light fittings. It is pushed into the first channel. The connecting rail is then pushed onto the connector. It is 300 mm long and is made of sendzimir hot-dip galvanised steel.

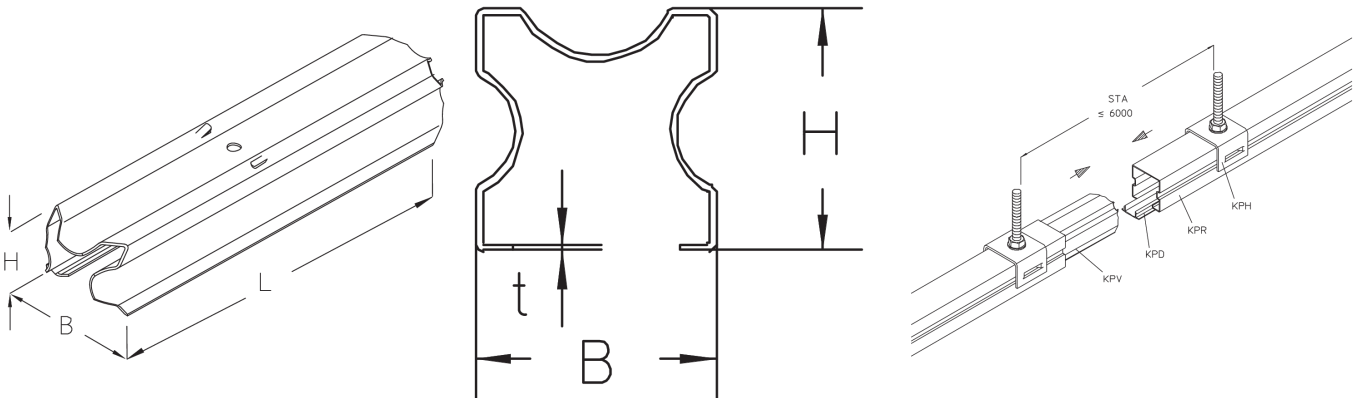


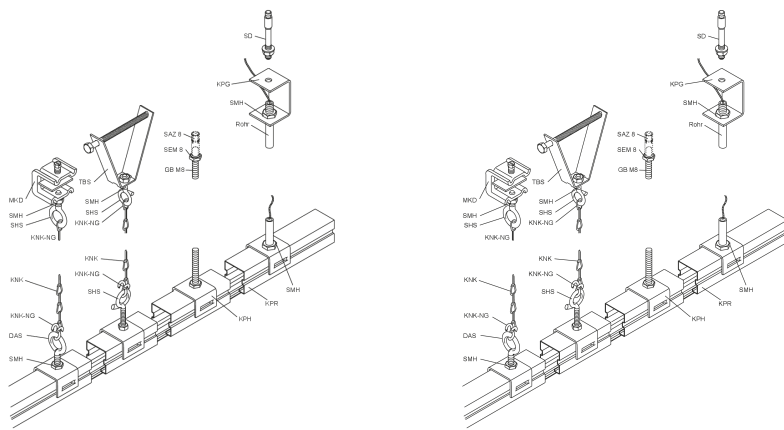
steel, continuously hot galvanized/Sendzimir process

| Products | H | B | L | t | weight |
|----------|-------|-------|--------|---------|----------|
| KPV | 37 mm | 37 mm | 300 mm | 1,00 mm | 0,257 kg |

H: height
B: width
L: length
t: material thickness

DETAIL AND APPLICATION IMAGES





OPTIONAL ACCESSORIES

KPR 40

