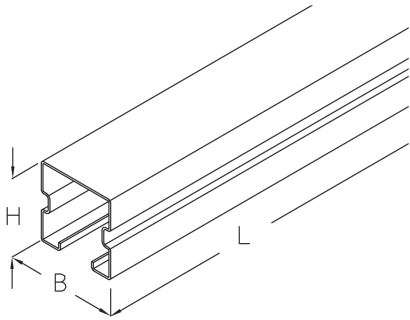


KPR 40

Support rail for light fittings

The KPR 40 support rail for light fittings is used to suspend linear or strip lights. It is available in lengths of 3000 and 6000 mm, is 40 mm high and 40 mm wide. The rail is made of sendzimir hot-dip galvanized steel.

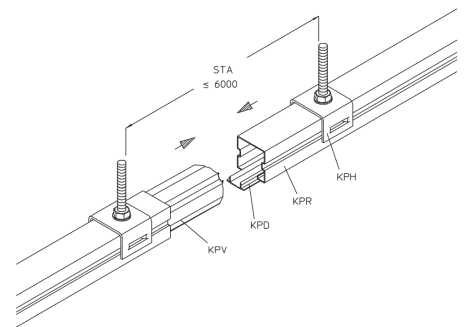
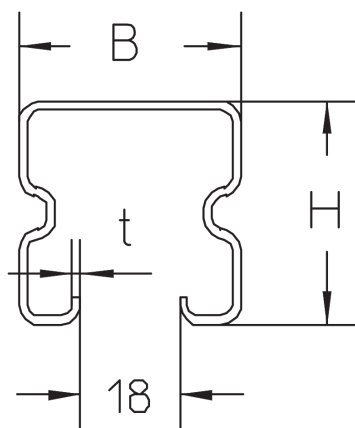
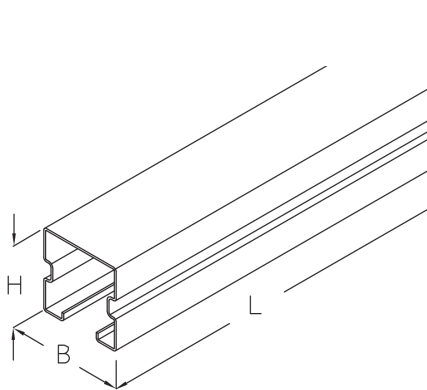


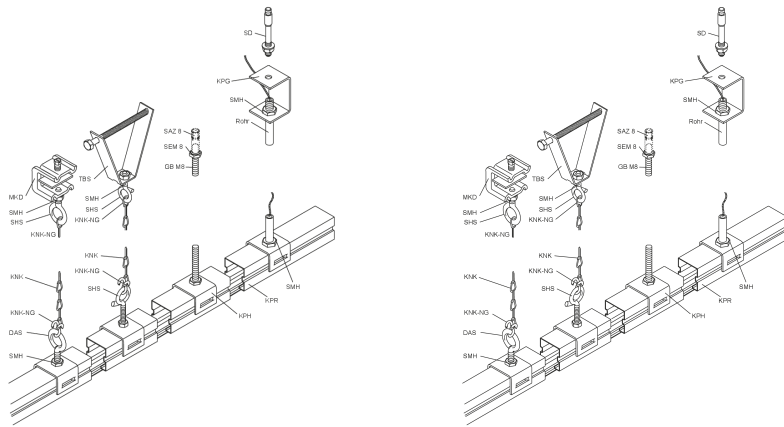
steel, continuously hot galvanized/Sendzimir process

Products	L	H _p	B _p	t	weight
KPR 40	6000 mm	40 mm	40 mm	1,50 mm	9,850 kg
KPR 40-3	3000 mm	40 mm	40 mm	1,50 mm	4,925 kg

L: length
H_p: profile height
B_p: profile width
t: material thickness

DETAIL AND APPLICATION IMAGES





OPTIONAL ACCESSORIES

KPV, KPD, KPE, KPB, KPH, AM 8

