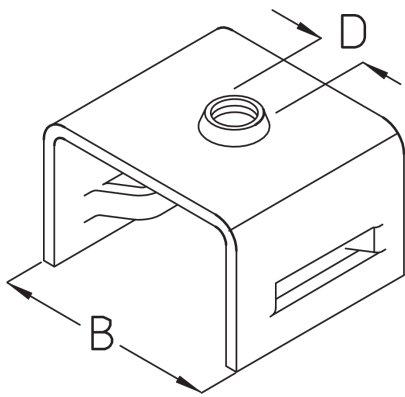


PRODUCT INFORMATION



KPH

Holding claw

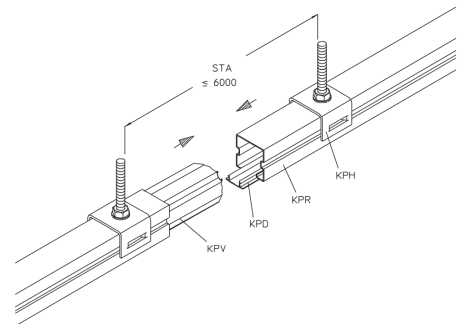
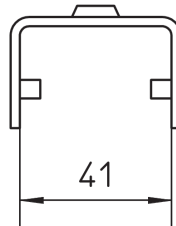
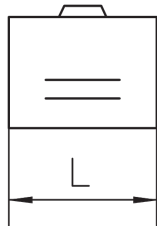
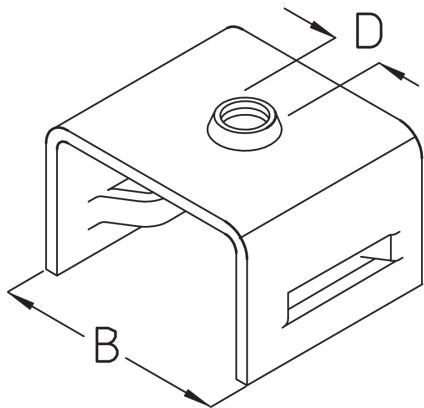
The holding clip KPH is pushed onto the KPR profile and can be freely positioned there. The suspension element is mounted on the retaining claw. The distance between supports must not exceed 6000 mm. The holding clip is made of hot-dip galvanised steel steel.

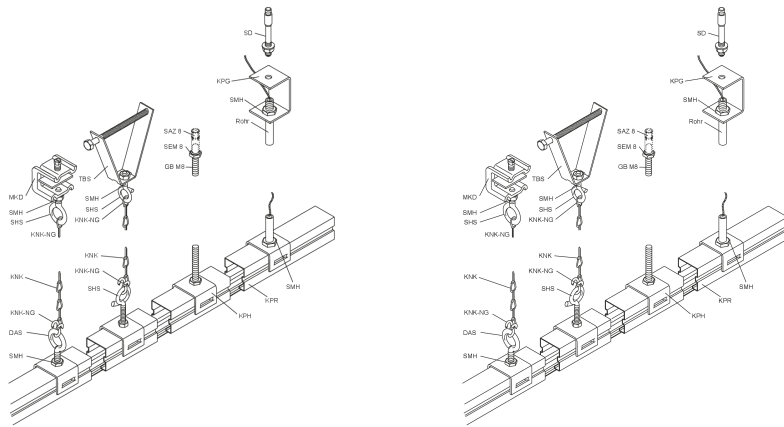
steel, batch/hot-dip galvanized

Products	B	weight
KPH 8F	41 mm	0,081 kg

B: width

DETAIL AND APPLICATION IMAGES





OPTIONAL ACCESSORIES

KPR 40

