

KPE

End cap

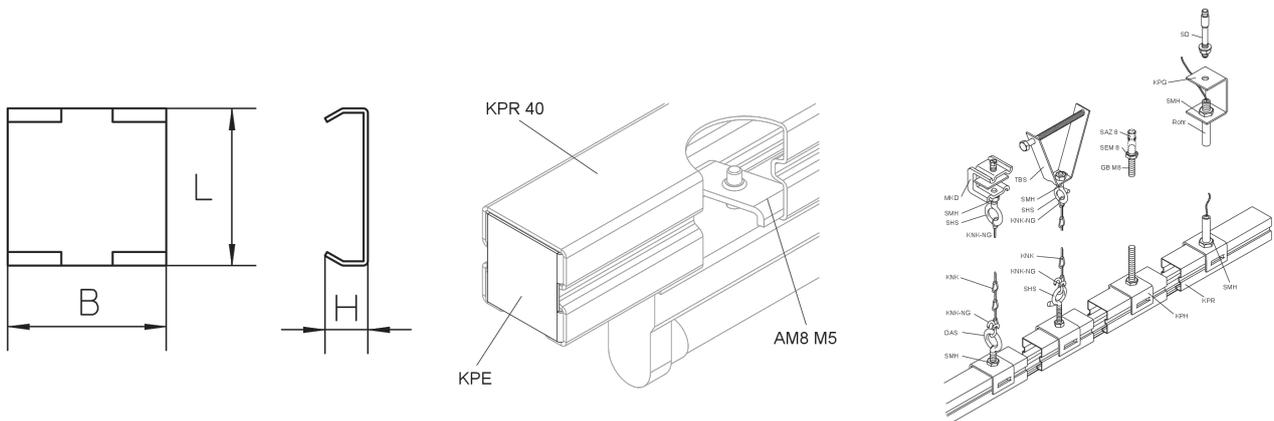
The end cap KPE closes the KPR support rail for light fittings and protects it from dirt. It is made of sendzimir hot-dip galvanized steel.

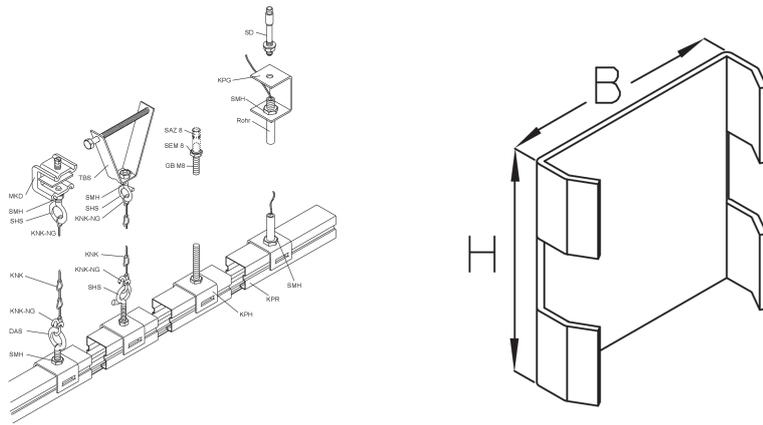
steel, continously hot galvanized/Sendzimir process

Products	H	B	weight
KPE	37 mm	37 mm	0,014 kg

H: height
B: width

DETAIL AND APPLICATION IMAGES





OPTIONAL ACCESSORIES

KPR 40

