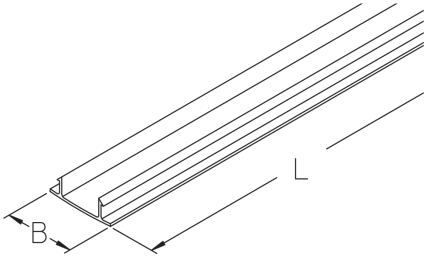


KPD

Cover strip

The KPD cover strip closes off the KPR support rail for light fittings at the bottom to prevent electrical cables from falling out in areas without a light. Like the rails, it is available in lengths of 3000 and 6000 mm and is made of iron gray polyvinyl chloride.

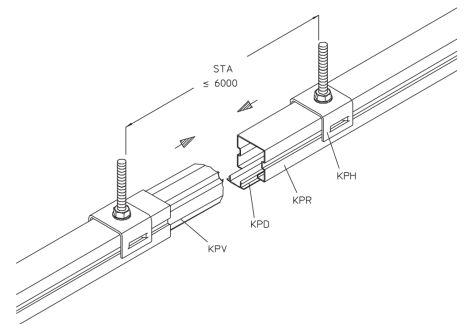
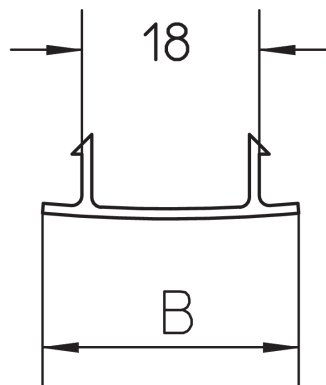
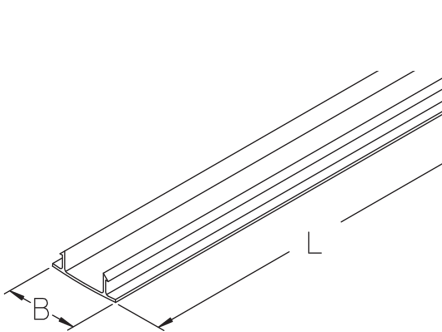


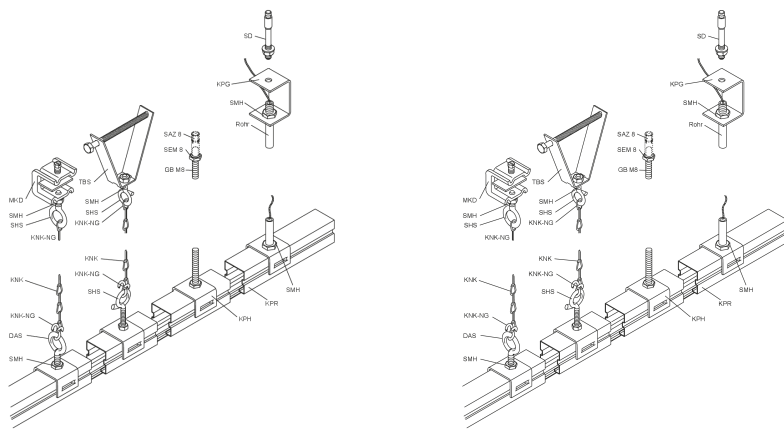
Polyvinyl chloride

Products	B	L	color	weight
KPD	26 mm	6000 mm	7011	0,430 kg
KPD-3	26 mm	3000 mm	7011	0,215 kg

B: width
L: length

DETAIL AND APPLICATION IMAGES





OPTIONAL ACCESSORIES

KPR 40

