

## KPB

### Mounting bracket

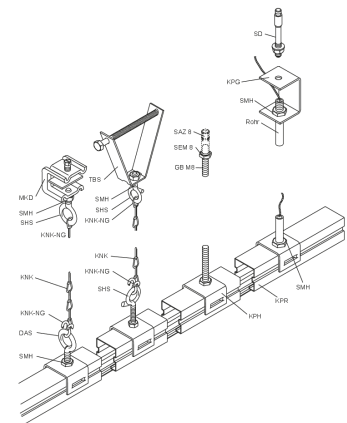
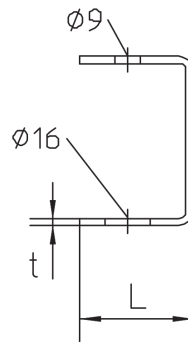
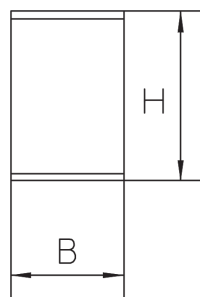
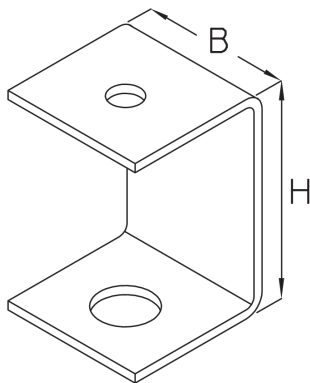
The mounting bracket KPB is used to suspend the light rail system along with a tube with an armoured thread (PG) 9. The bracket is attached to the ceiling using dowels. It is made of hot-dip galvanised steel.

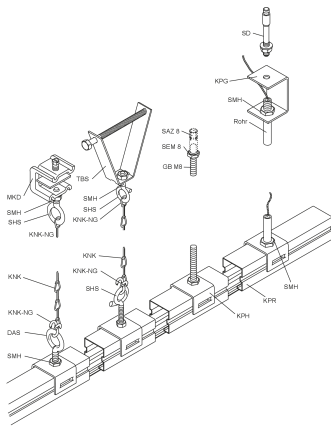
steel, batch/hot-dip galvanized

Products	H	B	t	weight
KPB F	60 mm	40 mm	2,50 mm	0,106 kg

**H:** height  
**B:** width  
**t:** material thickness

## DETAIL AND APPLICATION IMAGES





## OPTIONAL ACCESSORIES

KPR 40

