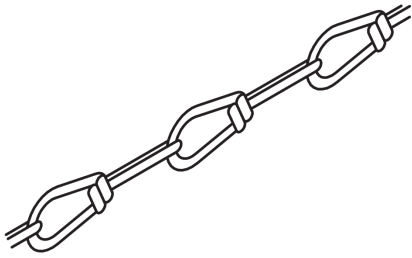


## KNK

### Junction chain



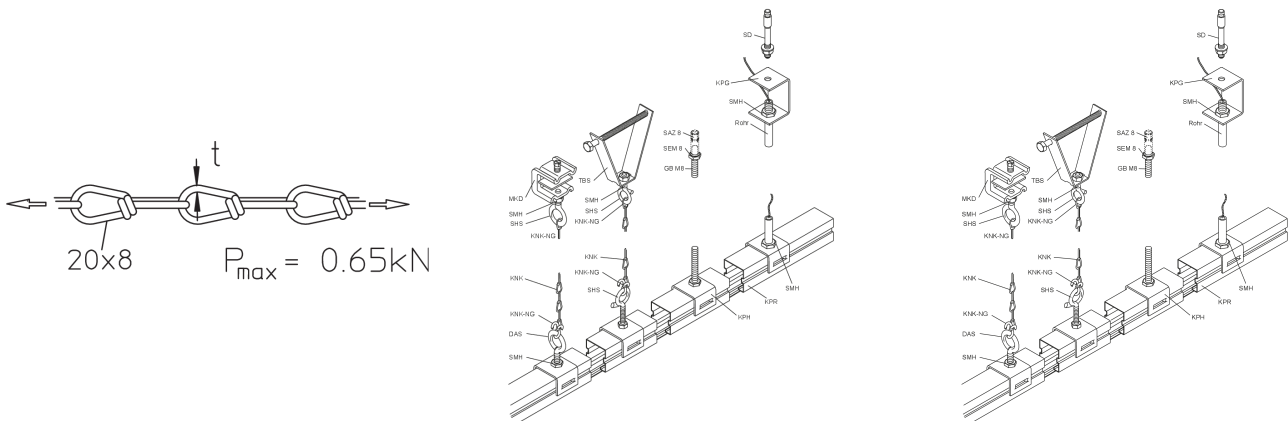
The chain KNK is used to suspend mesh cable trays, cable trays or light rails from ceilings. It is made of galvanised steel. The chain elongation factor is approx. 0.1 x the length.

steel, galvanic zinc plated

Products	L	t	weight
KNK	1000 mm	3,00 mm	0,219 kg

L: length  
t: material thickness

## DETAIL AND APPLICATION IMAGES



## OPTIONAL ACCESSORIES

KNK-NG, DAS, SHS, SHH, DSAGCB, DSAGRIPADAP, DSATIGERCLIP

