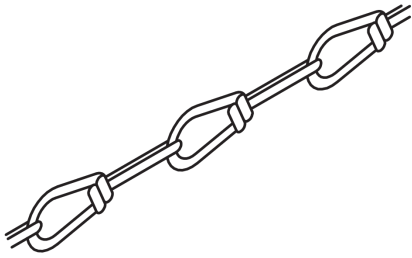


PRODUCT INFORMATION

KNK

Junction chain



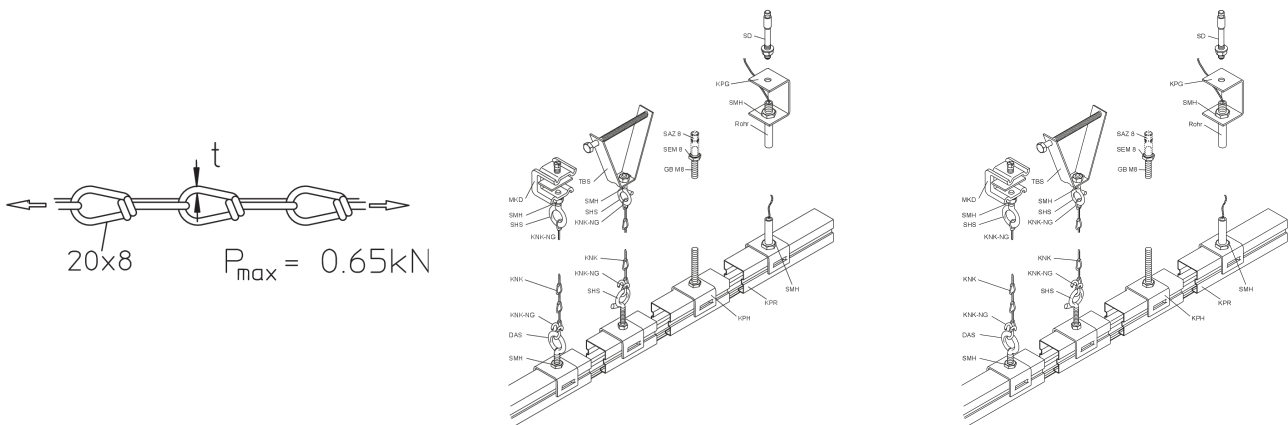
The chain KNK is used to suspend mesh cable trays, cable trays or light rails from ceilings. It is made of galvanised steel. The chain elongation factor is approx. 0.1 x the length.

steel, galvanic zinc plated

Products	L	t	W
KNK	1000 mm	3,00 mm	0,219 kg

L: length
t: material thickness
W: Weight per storage unit

DETAIL AND APPLICATION IMAGES



OPTIONAL ACCESSORIES

KNK-NG, DAS, SHS, SHH, DSAGCB, DSAGRIPADAP, DSATIGERCLIP

