

KLU

Clamp fastening set

The clamp fastening set KLU is used to clamp separating strips to mesh cable trays and to fasten cable ladders to brackets. We provide components in various materials and surface finishes to ensure that various corrosion protection requirements for different areas of application are met.

steel, galvanic zinc plated

| | |
|---------------------------|----------|
| Products | W |
| KLU GV | 0,040 kg |
| incl.: | |
| 2 × FRSV 6X16, 2 × SEMS 6 | |

steel, continously hot galvanized/Sendzimir process

| | |
|---------------------------|----------|
| Products | W |
| KLU | 0,042 kg |
| incl.: | |
| 2 × FRSV 6X16, 2 × SEMS 6 | |

steel, batch/hot-dip galvanized

| | |
|-----------------------------|----------|
| Products | W |
| KLU F | 0,044 kg |
| incl.: | |
| 2 × FRSV 6X16E, 2 × SEMS 6E | |



PRODUCT INFORMATION

Stainless steel, according to ASTM 304 / BS 304 S 3

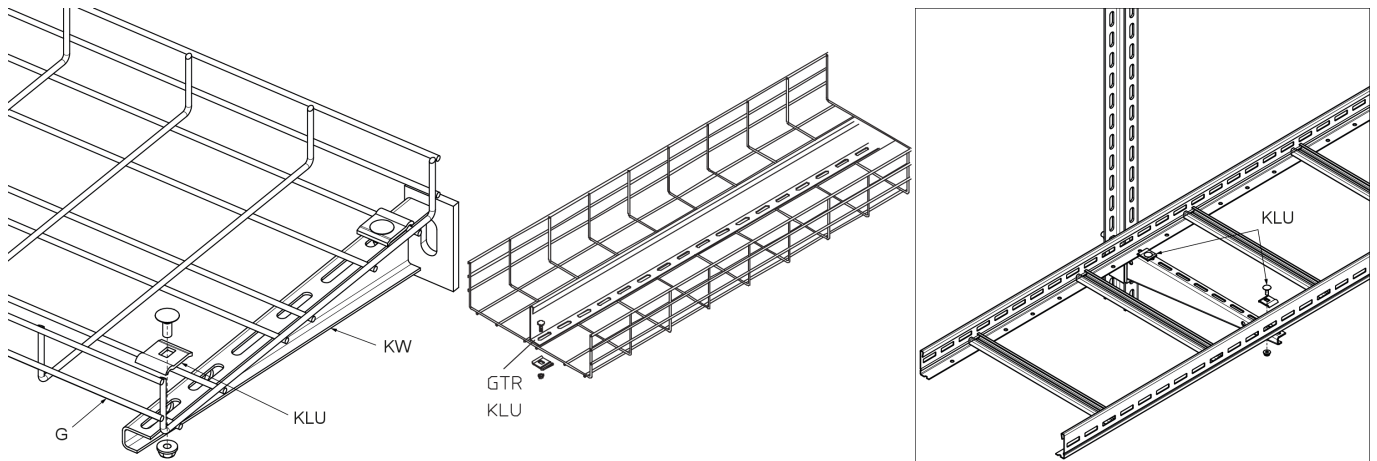
| Products | W |
|-----------------------------|----------|
| KLU E | 0,046 kg |
| incl.: | |
| 2 × FRSV 6X16E, 2 × SEMS 6E | |

Stainless steel, according to ASTM 316 Ti / AISI 316 L, BS 320S17 / BS 316S11

| Products | W |
|--|----------|
| KLU E4 | 0,044 kg |
| incl.: | |
| 2 × FKS 6X16E4, 2 × SEM 6E4, 2 × US 6X12E4 | |

W: Weight per storage unit

DETAIL AND APPLICATION IMAGES



Page 2



PRODUCT INFORMATION

