

KLTSU

Universal rung support clamp fastening

The KLTSU can be used to mount KHA 7, KHA 8 and KHB 7 rungs in flange supports.

steel, continuously hot galvanized/Sendzimir process

Products	H	B	L	W
KLTSU S	25 mm	90 mm	33 mm	0,241 kg
incl.:				
2 × IK 8X20, 2 × SEMS 8, 2 × US 8X17, 4 × SESA 8X35				

steel, batch/hot-dip galvanized

Products	H	B	L	W
KLTSU F	25 mm	90 mm	33 mm	0,253 kg
incl.:				
2 × IK 8X20E, 2 × SEMS 8E, 2 × US 8X17E, 4 × SESA 8X35E				

Stainless steel, according to ASTM 304 / BS 304 S 3

Products	H	B	L	W
KLTSU E	25 mm	90 mm	33 mm	0,243 kg
incl.:				
2 × IK 8X20E, 2 × SEMS 8E, 2 × US 8X17E, 4 × SESA 8X35E				



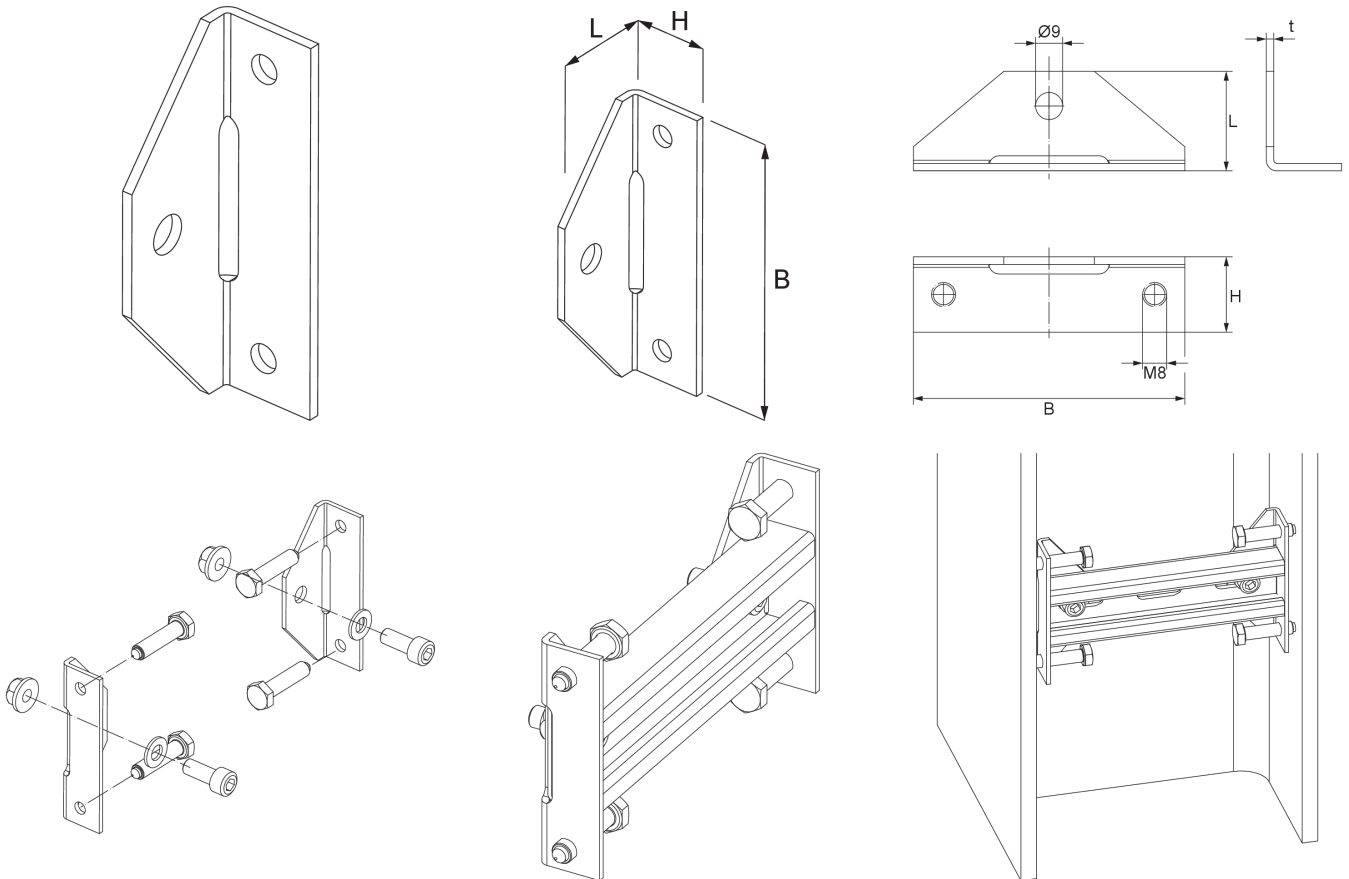
PRODUCT INFORMATION

Stainless steel, according to ASTM 316 Ti / AISI 316 L, BS 320S17 / BS 316S11

Products	H	B	L	W
KLTSU E4	25 mm	90 mm	33 mm	0,244 kg
incl.:				
2 x SEM 8E4, 2 x US 8X17E4, 4 x SESA 8X35E4				

H: height
B: width
L: length
W: Weight per storage unit

DETAIL AND APPLICATION IMAGES



Page 2



OPTIONAL ACCESSORIES

KHA 7, KHA 8, KHB 7

