

## KLS

### Clamp fastening set

The clamp attachment set KLS is used to attach our cable ladders, wide-span trays and mesh cable trays to ceiling brackets or to mount brackets on bracket supports. We provide components in various materials and surface finishes to ensure that various corrosion protection requirements for different areas of application are met.

#### steel, galvanic zinc plated

Products	L	Ø	W
KLS 8X16	16 mm	8 mm	0,018 kg
incl.: 1 × FRSV 8X16, 1 × SEMS 8			
KLS 8X25	25 mm	8 mm	0,021 kg
incl.: 1 × FRS 8X25, 1 × SEMS 8			
KLS 10X20	20 mm	10 mm	0,032 kg
incl.: 1 × SEMS 10, 1 × FRSV 10X20			

#### steel, batch/hot-dip galvanized

Products	L	Ø	W
KLS 10X20F	20 mm	10 mm	0,035 kg
incl.: 1 × FRSV 10X20F, 1 × SEM 10F, 1 × US 10X21F			

#### Stainless steel, according to ASTM 304 / BS 304 S 3



# PRODUCT INFORMATION

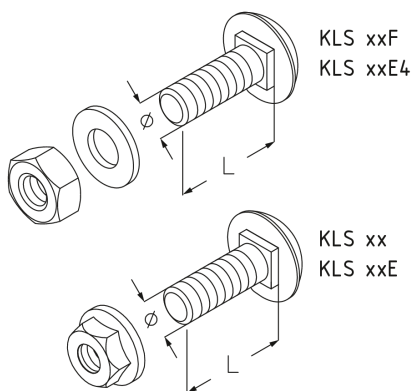
Products	L	Ø	W
KLS 8X16E	16 mm	8 mm	0,018 kg
incl.:			
1 x FRSV 8X16E, 1 x SEMS 8E			
KLS 8X25E	25 mm	8 mm	0,020 kg
incl.:			
1 x FRS 8X25E, 1 x SEMS 8E			
KLS 10X20E	20 mm	10 mm	0,033 kg
incl.:			
1 x FRSV 10X20E, 1 x SEMS 10E			

Stainless steel, according to ASTM 316 Ti / AISI 316 L, BS 320S17 / BS 316S11

Products	L	Ø	W
KLS 10X20E4	20 mm	10 mm	0,035 kg
incl.:			
1 x SEM 10E4, 1 x US 10X21E4, 1 x FRSV 10X20E4			

**L:** length  
**Ø:** thread diameter  
**W:** Weight per storage unit

## DETAIL AND APPLICATION IMAGES



Page 2





PohlCon GmbH  
Nobelstraße 51 | 12057 Berlin  
Telefon: +49 30 68283-04 | Fax: +49 30 68283-383 | [contact@pohlcon.com](mailto:contact@pohlcon.com)

