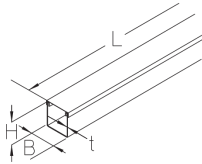


## KLK

### Small duct with cover

KLK small ducts with covers are available in sendzimir hot-dip galvanised steel and have sides 30 to 60 mm high and are 30 to 60 mm wide. They are 3000 mm long.



steel, continuously hot galvanized/Sendzimir process

Products	H	B	L	t	weight
KLK 30-03S	30 mm	30 mm	3000 mm	1,00 mm	3,670 kg
KLK 30-05S	30 mm	50 mm	3000 mm	1,00 mm	4,620 kg
KLK 40-04S	40 mm	40 mm	3000 mm	1,00 mm	4,620 kg
KLK 60-06S	60 mm	60 mm	3000 mm	1,00 mm	6,500 kg

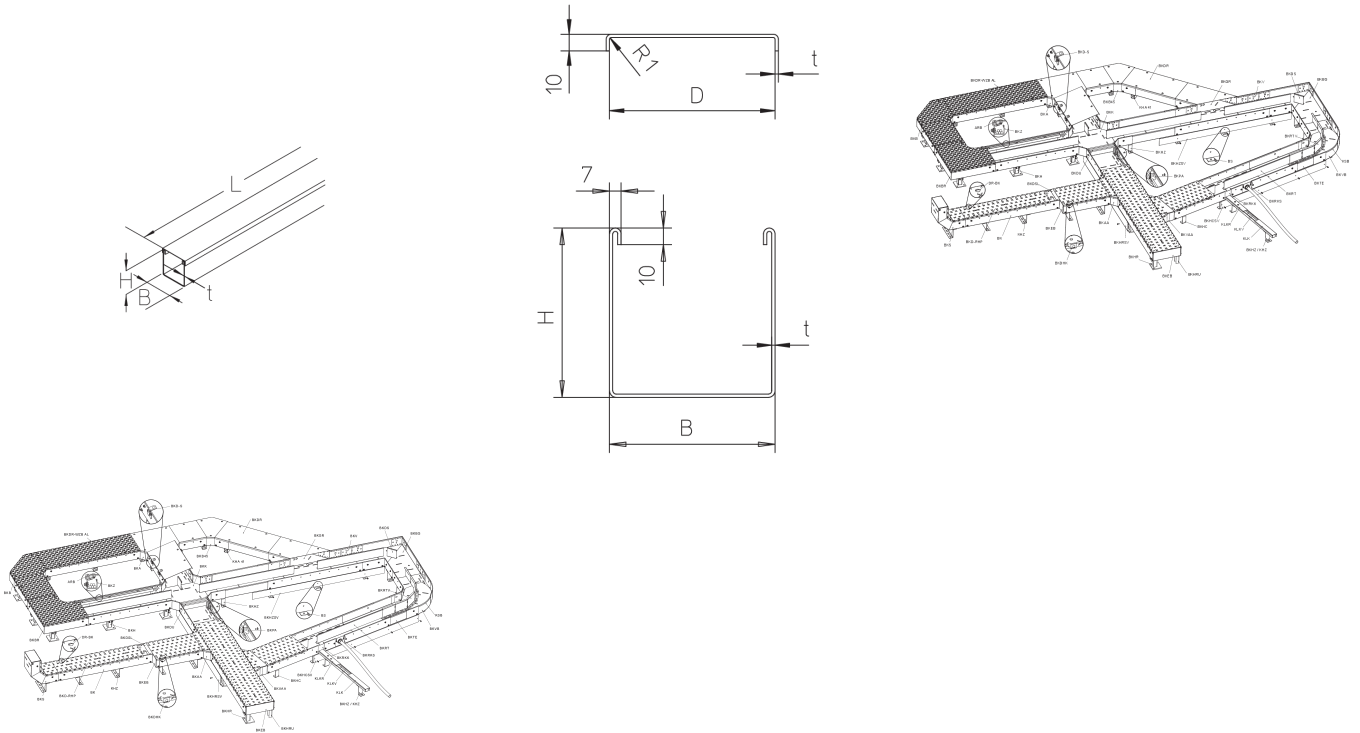
**H:** height  
**B:** width  
**L:** length  
**t:** material thickness

## DETAIL AND APPLICATION IMAGES



# PRODUCT INFORMATION

---



## OPTIONAL ACCESSORIES

BKRKK 100, KLKV

