

KISS

Wall bracket, very heavy

The wall bracket KISS is intended for maximum loads of up to 10 kN. It is attached to steel beams and is ideal for wide-span cable trays. The wall bracket KISS is made of hot-dip galvanized steel. It is mounted on the steel girder using four girder clamps SKS H. F_D/P : factor for calculating the dowel load F_D with the actual bracket load P or the sum of the actual bracket loads. The stated load values only apply if the product is adequately anchored to the force-absorbing substrate or is attached in accordance with the instructions.

steel, batch/hot-dip galvanized

Products	H	B1	B2	L	P_{max}	F_D/P	weight
KISS 020F	141 mm	200 mm	280 mm	321 mm	10,00 kN	0,93	4,610 kg
KISS 030F	185 mm	300 mm	380 mm	420 mm	10,00 kN	0,91	5,390 kg
KISS 040F	215 mm	400 mm	480 mm	520 mm	10,00 kN	0,92	6,150 kg
KISS 050F	250 mm	500 mm	580 mm	620 mm	10,00 kN	0,92	6,930 kg
KISS 060F	280 mm	600 mm	680 mm	720 mm	10,00 kN	0,92	7,720 kg
KISS 070F	315 mm	700 mm	780 mm	820 mm	10,00 kN	0,99	8,090 kg
KISS 080F	345 mm	800 mm	880 mm	920 mm	10,00 kN	1,06	9,260 kg
KISS 090F	380 mm	900 mm	980 mm	1020 mm	10,00 kN	1,10	10,010 kg
KISS 100F	410 mm	1000 mm	1080 mm	1120 mm	10,00 kN	1,15	10,780 kg

H: height

B1: width

B2: width

L: length

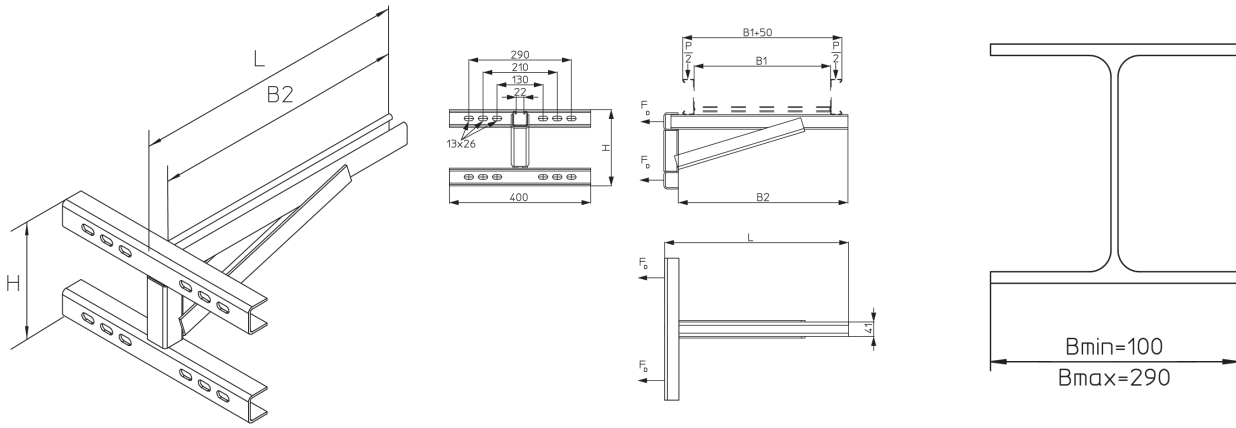
P_{max} : maximum load

F_D/P : dowel-to-anchor load

DETAIL AND APPLICATION IMAGES



PRODUCT INFORMATION



OPTIONAL ACCESSORIES

SKS M, WPHS-A, WLHS, WLKLA

