

## KIS

### Wall bracket, heavy

The wall bracket KIS is intended for maximum loads of up to 7 kN. It is attached to steel beams and is ideal for wide-span cable trays. The wall bracket KIS is made of hot-dip galvanised steel. It is mounted on the steel girder using four girder clamps SKS H.  $F_D/P$ : factor for calculating the dowel load  $F_D$  with the actual bracket load  $P$  or the sum of the actual bracket loads. The stated load values only apply if the product is adequately anchored to the force-absorbing substrate or is attached in accordance with the instructions.

steel, batch/hot-dip galvanized

Products	H	B1	B2	L	$P_{max}$	$F_D/P$	W
KIS 020F	265 mm	200 mm	280 mm	310 mm	7,00 kN	0,66	3,070 kg
KIS 030F	265 mm	300 mm	380 mm	410 mm	6,70 kN	0,76	3,440 kg
KIS 040F	265 mm	400 mm	480 mm	510 mm	6,50 kN	0,86	3,820 kg
KIS 050F	265 mm	500 mm	580 mm	610 mm	6,30 kN	0,97	4,200 kg
KIS 060F	265 mm	600 mm	680 mm	710 mm	6,10 kN	1,09	4,580 kg
KIS 070F	265 mm	700 mm	780 mm	810 mm	5,20 kN	1,33	4,960 kg
KIS 080F	265 mm	800 mm	880 mm	910 mm	4,40 kN	1,57	5,330 kg
KIS 090F	265 mm	900 mm	980 mm	1010 mm	3,60 kN	1,83	5,710 kg
KIS 100F	265 mm	1000 mm	1080 mm	1110 mm	2,80 kN	2,08	6,090 kg

**H:** height

**B1:** width

**B2:** width

**L:** length

**$P_{max}$ :** maximum load

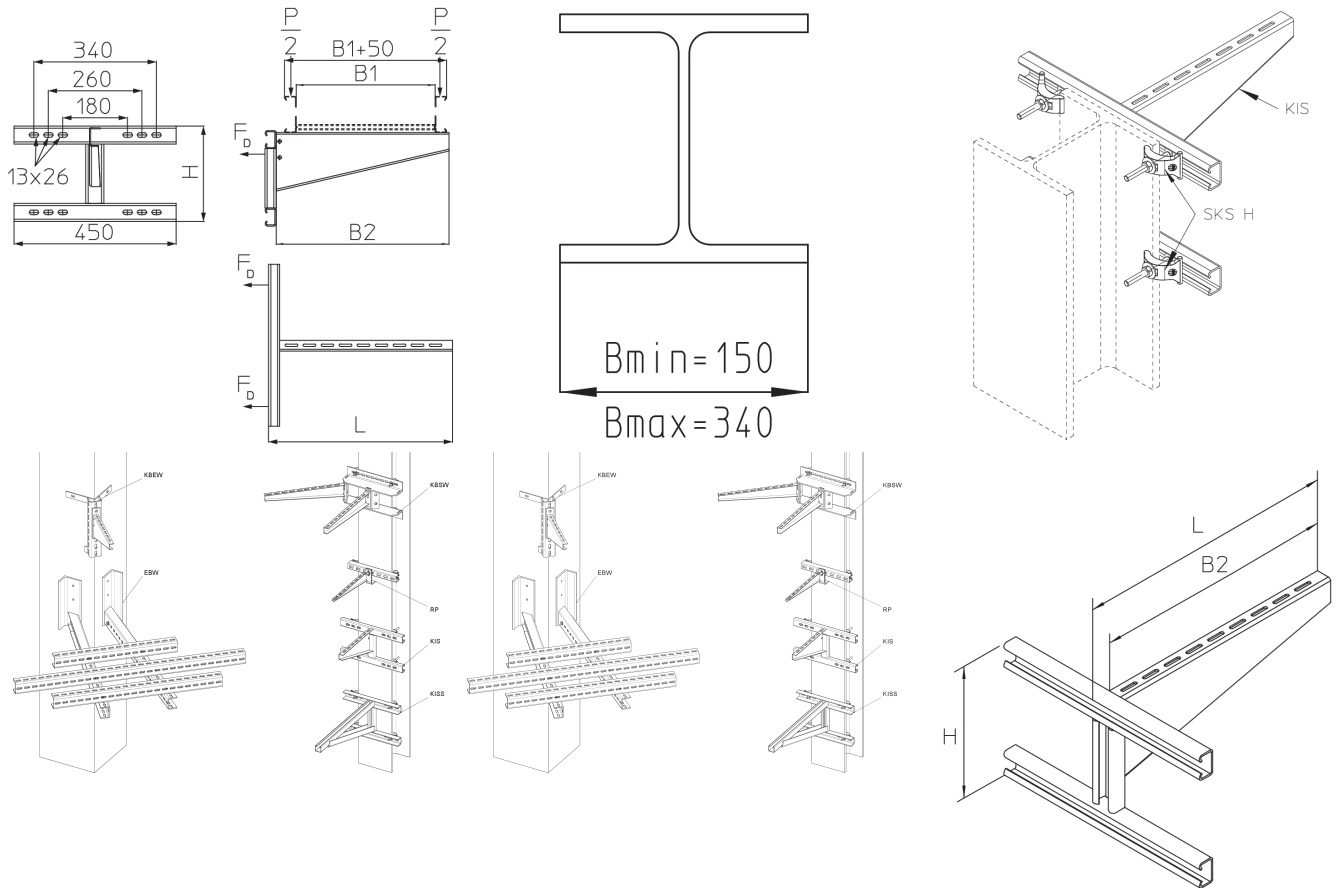
**$F_D/P$ :** dowel-to-anchor load

**W:** Weight per storage unit

## DETAIL AND APPLICATION IMAGES



# PRODUCT INFORMATION



## OPTIONAL ACCESSORIES

SKS H, WPHS-K, WLHS, WLKL

