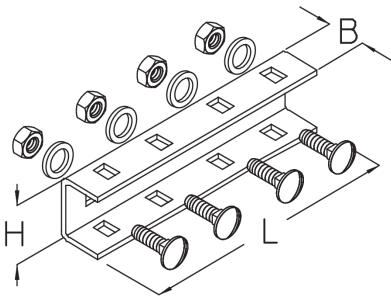


## KHUV 80

Connector, KHU 80

The connector KHUV 80 can be used to connect bracket holders KHU 80 to each other. We provide components in various materials and surface finishes to ensure that the corrosion requirements are met for all sorts of applications.

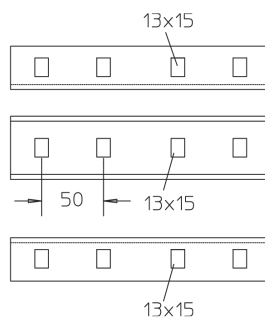
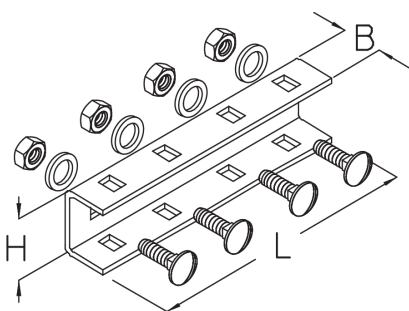


steel, batch/hot-dip galvanized

Products	t	W
KHUV 80F	4,00 mm	2,003 kg
incl.:		
6 x SEM 12F, 6 x US 13X24F, 6 x FRS 12X30F		

t: material thickness  
W: Weight per storage unit

## DETAIL AND APPLICATION IMAGES





PohlCon GmbH  
Nobelstraße 51 | 12057 Berlin  
Telefon: +49 30 68283-04 | Fax: +49 30 68283-383 | [contact@pohlcon.com](mailto:contact@pohlcon.com)

