

KHI

Bracket support, heavy, 80x42 mm

The bracket holder KHI with welded-on top plate (material thickness t) consists of an I profile 80 x 42 mm with continuous slots in the rail. Various surfaces ensure that the corrosion requirements of a wide variety of applications are met. It is fixed to the ceiling using head plate BGI, BGIQ or BGID and optionally to the wall using angle bracket BL.

steel, batch/hot-dip galvanized

Products	H	B	L	H _p	B _p	weight
KHI 02F	42 mm	80 mm	200 mm	42 mm	80 mm	1,120 kg
KHI 03F	42 mm	80 mm	300 mm	42 mm	80 mm	1,680 kg
KHI 04F	42 mm	80 mm	400 mm	42 mm	80 mm	2,240 kg
KHI 05F	42 mm	80 mm	500 mm	42 mm	80 mm	2,800 kg
KHI 06F	42 mm	80 mm	600 mm	42 mm	80 mm	3,360 kg
KHI 07F	42 mm	80 mm	700 mm	42 mm	80 mm	3,920 kg
KHI 08F	42 mm	80 mm	800 mm	42 mm	80 mm	4,480 kg
KHI 09F	42 mm	80 mm	900 mm	42 mm	80 mm	5,040 kg
KHI 10F	42 mm	80 mm	1000 mm	42 mm	80 mm	5,600 kg
KHI 11F	42 mm	80 mm	1100 mm	42 mm	80 mm	6,160 kg
KHI 12F	42 mm	80 mm	1200 mm	42 mm	80 mm	6,720 kg
KHI 13F	42 mm	80 mm	1300 mm	42 mm	80 mm	7,280 kg
KHI 14F	42 mm	80 mm	1400 mm	42 mm	80 mm	7,840 kg
KHI 15F	42 mm	80 mm	1500 mm	42 mm	80 mm	8,400 kg
KHI 16F	42 mm	80 mm	1600 mm	42 mm	80 mm	8,960 kg
KHI 17F	42 mm	80 mm	1700 mm	42 mm	80 mm	9,520 kg
KHI 18F	42 mm	80 mm	1800 mm	42 mm	80 mm	10,080 kg
KHI 19F	42 mm	80 mm	1900 mm	42 mm	80 mm	10,640 kg
KHI 20F	42 mm	80 mm	2000 mm	42 mm	80 mm	11,200 kg
KHI 21F	42 mm	80 mm	2100 mm	42 mm	80 mm	11,760 kg
KHI 22F	42 mm	80 mm	2200 mm	42 mm	80 mm	12,320 kg

Page 1

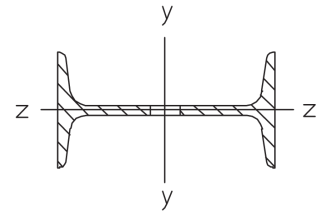
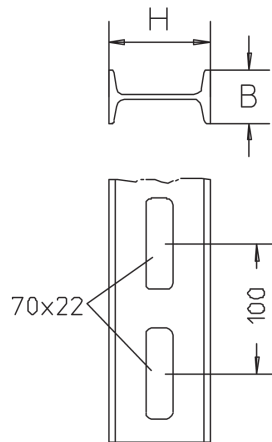


PRODUCT INFORMATION

Products	H	B	L	H _p	B _p	weight
KHI 23F	42 mm	80 mm	2300 mm	42 mm	80 mm	12,880 kg
KHI 24F	42 mm	80 mm	2400 mm	42 mm	80 mm	13,440 kg
KHI 25F	42 mm	80 mm	2500 mm	42 mm	80 mm	14,000 kg
KHI 26F	42 mm	80 mm	2600 mm	42 mm	80 mm	14,560 kg
KHI 27F	42 mm	80 mm	2700 mm	42 mm	80 mm	15,120 kg
KHI 28F	42 mm	80 mm	2800 mm	42 mm	80 mm	15,680 kg
KHI 29F	42 mm	80 mm	2900 mm	42 mm	80 mm	16,240 kg
KHI 30F	42 mm	80 mm	3000 mm	42 mm	80 mm	17,800 kg
KHI 60F	42 mm	80 mm	6000 mm	42 mm	80 mm	35,600 kg

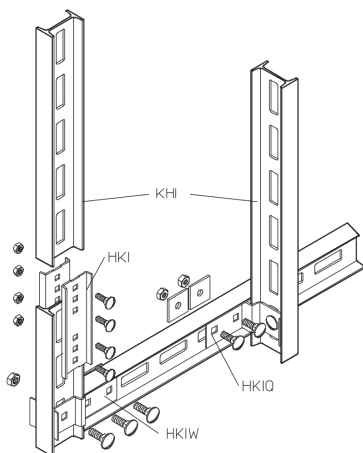
H: height
B: width
L: length
H_p: profile height
B_p: profile width

DETAIL AND APPLICATION IMAGES



$$\begin{aligned}
 A_q &= 6,71 \text{ cm}^2 \\
 W_y &= 19,5 \text{ cm}^3 \\
 W_z &= 3,0 \text{ cm}^3 \\
 I_y &= 77,8 \text{ cm}^4 \\
 I_z &= 6,29 \text{ cm}^4
 \end{aligned}$$





OPTIONAL ACCESSORIES

KT, KTS, KTSS, BL 7, BL 3, BLI, BGI, BGIQ, BGID, HKI, HKIW, HKIQ, SI

