

## KHA 82

41x82 mm profile rail, perforated

The perforated profile rail KHA 82 consists of two C+ profiles welded together back to back. It is 82 mm high, 41 mm wide and the slot is 22 mm wide (material = 2.5 mm thick). We provide components in various materials and surface finishes to ensure that the corrosion requirements are met for all sorts of applications. It is available in lengths of 3000 or 6000 mm.

steel, batch/hot-dip galvanized

Products	L	H <sub>p</sub>	B <sub>p</sub>	t	W
KHA 82-30F	3000 mm	82 mm	41 mm	2,50 mm	15,860 kg
KHA 82-60F	6000 mm	82 mm	41 mm	2,50 mm	31,360 kg

Stainless steel, according to ASTM 304 / BS 304 S 3

Products	L	H <sub>p</sub>	B <sub>p</sub>	t	W
KHA 82-30E	3000 mm	82 mm	41 mm	2,50 mm	14,870 kg
KHA 82-60E	6000 mm	82 mm	41 mm	2,50 mm	29,740 kg

Stainless steel, according to ASTM 316 Ti / AISI 316 L, BS 320S17 / BS 316S11

Products	L	H <sub>p</sub>	B <sub>p</sub>	t	W
KHA 82-30E4	3000 mm	82 mm	41 mm	2,50 mm	15,050 kg
KHA 82-60E4	6000 mm	82 mm	41 mm	2,50 mm	30,100 kg

L: length  
H<sub>p</sub>: profile height  
B<sub>p</sub>: profile width  
t: material thickness

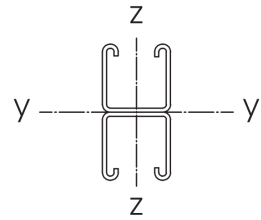
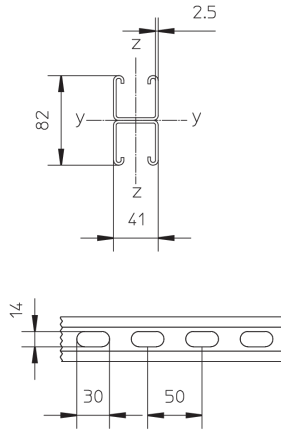
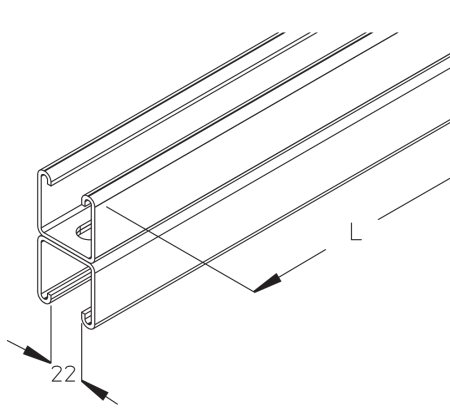


# PRODUCT INFORMATION

---

**W:** Weight per storage unit

## DETAIL AND APPLICATION IMAGES



$$\begin{aligned}W_y &= 8.64 \text{ cm}^3 \\W_z &= 8.76 \text{ cm}^3 \\I_y &= 35.41 \text{ cm}^4 \\I_z &= 17.95 \text{ cm}^4\end{aligned}$$

## OPTIONAL ACCESSORIES

SAI 41, AM 22, AMF 22, RUS 41

