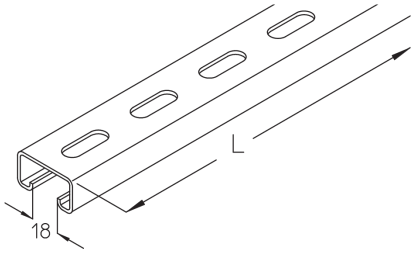


KHA 7

39.5x22 mm profile rail, perforated



The profile rail KHA 7 consists of a C+ profile 39.5 x 22 mm with continuous perforation and a slot width of 18 mm (material thickness = 1.5 mm). We provide components in various materials and surface finishes to ensure that the corrosion requirements are met for all sorts of applications. It is available in lengths of 100 to 6000 mm.

steel, continuously hot galvanized/Sendzimir process

Products	L	H _p	B _p	t	W
KHA 7-02S	200 mm	22 mm	39,5 mm	1,50 mm	0,210 kg
KHA 7-03S	300 mm	22 mm	39,5 mm	1,50 mm	0,310 kg
KHA 7-04S	400 mm	22 mm	39,5 mm	1,50 mm	0,410 kg
KHA 7-05S	500 mm	22 mm	39,5 mm	1,50 mm	0,510 kg
KHA 7-06S	600 mm	22 mm	39,5 mm	1,50 mm	0,610 kg
KHA 7-07S	700 mm	22 mm	39,5 mm	1,50 mm	0,780 kg
KHA 7-08S	800 mm	22 mm	39,5 mm	1,50 mm	0,834 kg
KHA 7-09S	900 mm	22 mm	39,5 mm	1,50 mm	1,000 kg
KHA 7-10S	1000 mm	22 mm	39,5 mm	1,50 mm	1,050 kg
KHA 7-11S	1100 mm	22 mm	39,5 mm	1,50 mm	1,150 kg
KHA 7-12S	1200 mm	22 mm	39,5 mm	1,50 mm	1,260 kg
KHA 7-13S	1300 mm	22 mm	39,5 mm	1,50 mm	1,360 kg
KHA 7-14S	1400 mm	22 mm	39,5 mm	1,50 mm	1,470 kg
KHA 7-15S	1500 mm	22 mm	39,5 mm	1,50 mm	1,570 kg
KHA 7-20S	2000 mm	22 mm	39,5 mm	1,50 mm	2,200 kg
KHA 7-30S	3000 mm	22 mm	39,5 mm	1,50 mm	3,200 kg
KHA 7-60S	6000 mm	22 mm	39,5 mm	1,50 mm	6,300 kg

Stainless steel, according to ASTM 304 / BS 304 S 3



PRODUCT INFORMATION

Products	L	H _p	B _p	t	W
KHA 7-01E	100 mm	22 mm	39,5 mm	1,50 mm	0,110 kg
KHA 7-02E	200 mm	22 mm	39,5 mm	1,50 mm	0,220 kg
KHA 7-03E	300 mm	22 mm	39,5 mm	1,50 mm	0,330 kg
KHA 7-04E	400 mm	22 mm	39,5 mm	1,50 mm	0,440 kg
KHA 7-05E	500 mm	22 mm	39,5 mm	1,50 mm	0,550 kg
KHA 7-06E	600 mm	22 mm	39,5 mm	1,50 mm	0,660 kg
KHA 7-07E	700 mm	22 mm	39,5 mm	1,50 mm	0,770 kg
KHA 7-08E	800 mm	22 mm	39,5 mm	1,50 mm	0,880 kg
KHA 7-09E	900 mm	22 mm	39,5 mm	1,50 mm	0,990 kg
KHA 7-10E	1000 mm	22 mm	39,5 mm	1,50 mm	1,100 kg
KHA 7-11E	1100 mm	22 mm	39,5 mm	1,50 mm	1,210 kg
KHA 7-12E	1200 mm	22 mm	39,5 mm	1,50 mm	1,320 kg
KHA 7-13E	1300 mm	22 mm	39,5 mm	1,50 mm	1,430 kg
KHA 7-14E	1400 mm	22 mm	39,5 mm	1,50 mm	1,540 kg
KHA 7-15E	1500 mm	22 mm	39,5 mm	1,50 mm	1,650 kg
KHA 7-20E	2000 mm	22 mm	39,5 mm	1,50 mm	2,200 kg
KHA 7-30E	3000 mm	22 mm	39,5 mm	1,50 mm	3,600 kg
KHA 7-60E	6000 mm	22 mm	39,5 mm	1,50 mm	6,600 kg

Stainless steel, according to ASTM 316 Ti / AISI 316 L, BS 320S17 / BS 316S11

Products	L	H _p	B _p	t	W
KHA 7-01E4	100 mm	22 mm	39,5 mm	1,50 mm	0,110 kg
KHA 7-02E4	200 mm	22 mm	39,5 mm	1,50 mm	0,220 kg
KHA 7-03E4	300 mm	22 mm	39,5 mm	1,50 mm	0,330 kg
KHA 7-04E4	400 mm	22 mm	39,5 mm	1,50 mm	0,440 kg
KHA 7-05E4	500 mm	22 mm	39,5 mm	1,50 mm	0,550 kg
KHA 7-06E4	600 mm	22 mm	39,5 mm	1,50 mm	0,670 kg
KHA 7-07E4	700 mm	22 mm	39,5 mm	1,50 mm	0,780 kg
KHA 7-08E4	800 mm	22 mm	39,5 mm	1,50 mm	0,890 kg
KHA 7-09E4	900 mm	22 mm	39,5 mm	1,50 mm	1,000 kg
KHA 7-10E4	1000 mm	22 mm	39,5 mm	1,50 mm	1,110 kg
KHA 7-11E4	1100 mm	22 mm	39,5 mm	1,50 mm	1,220 kg

Page 2

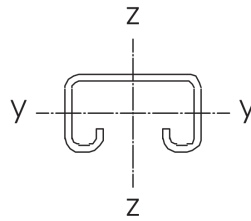
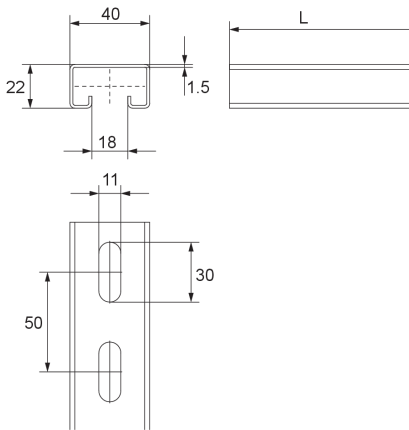


PRODUCT INFORMATION

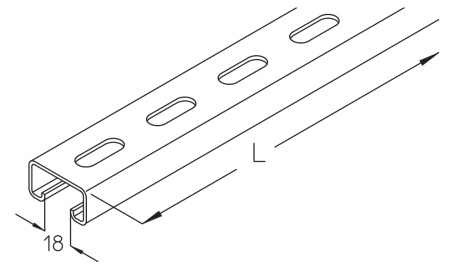
Products	L	H _p	B _p	t	W
KHA 7-12E4	1200 mm	22 mm	39,5 mm	1,50 mm	1,330 kg
KHA 7-30E4	3000 mm	22 mm	39,5 mm	1,50 mm	3,600 kg
KHA 7-60E4	6000 mm	22 mm	39,5 mm	1,50 mm	6,600 kg

L: length
H_p: profile height
B_p: profile width
t: material thickness
W: Weight per storage unit

DETAIL AND APPLICATION IMAGES



$$\begin{aligned}
 W_y &= 0.80 \text{ cm}^3 \\
 W_z &= 1.69 \text{ cm}^3 \\
 I_y &= 0.91 \text{ cm}^4 \\
 I_z &= 3.34 \text{ cm}^4
 \end{aligned}$$



OPTIONAL ACCESSORIES

SA 1, SAI 21, HS18, AM 18, AMF 18, AMA 18, ARS 18-KHA, ASK 8

