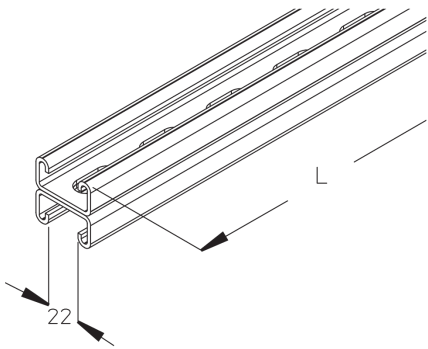


KHA 42

41x42 mm profile rail, perforated

The perforated profile rail KHA 42 consists of two C+ profiles welded together back to back. It is 42 mm high, 41 mm wide and the slot is 22 mm wide (material = 2.5 mm thick). It is made of hot-dip galvanised steel and is available in lengths of 3000 or 6000 mm.

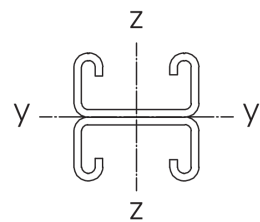
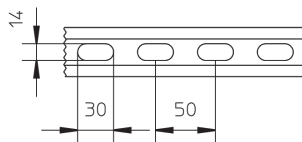
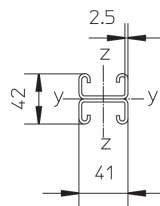
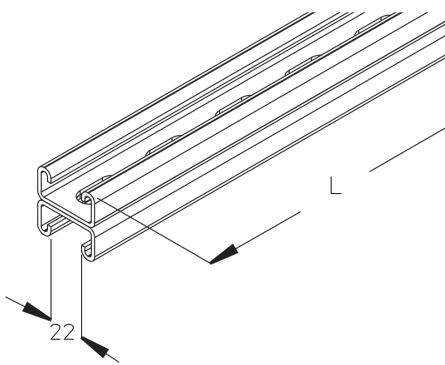


steel, batch/hot-dip galvanized

Products	L	H _p	B _p	t	W
KHA 42-30F	3000 mm	42 mm	41 mm	2,50 mm	10,639 kg
KHA 42-60F	6000 mm	42 mm	41 mm	2,50 mm	21,278 kg

L: length
H_p: profile height
B_p: profile width
t: material thickness
W: Weight per storage unit

DETAIL AND APPLICATION IMAGES



$$\begin{aligned}
 W_y &= 2.80 \text{ cm}^3 \\
 W_z &= 5.12 \text{ cm}^3 \\
 I_y &= 5.87 \text{ cm}^4 \\
 I_z &= 10.50 \text{ cm}^4
 \end{aligned}$$



OPTIONAL ACCESSORIES

SA 2, SAI 21, AM 22, RUS 41

