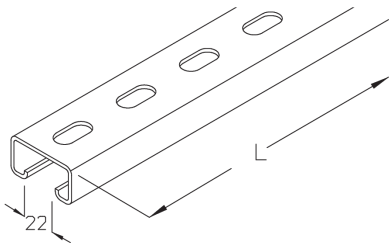


KHA 4

48x26 mm profile rail, perforated

The profile rail KHA 4 consists of a C+ profile 48 x 26 mm with continuous perforation and a slot width of 22 mm (material thickness = 2.5 mm). It is made of hot-dip galvanised steel and is available in lengths of 3000 or 6000 mm.

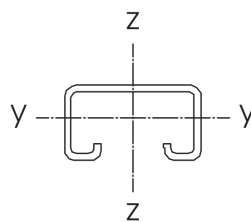
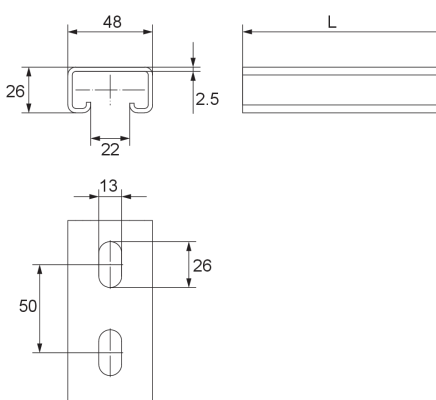


steel, batch/hot-dip galvanized

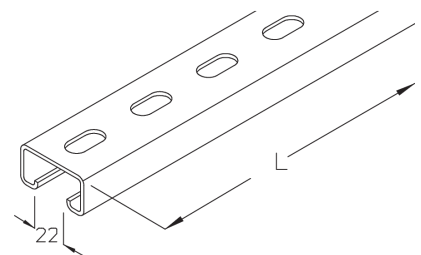
Products	L	H _p	B _p	t	weight
KHA 4-30F	3000 mm	26 mm	48 mm	2,50 mm	6,800 kg
KHA 4-60F	6000 mm	26 mm	48 mm	2,50 mm	13,600 kg

L: length
H_p: profile height
B_p: profile width
t: material thickness

DETAIL AND APPLICATION IMAGES



$$\begin{aligned}
 W_y &= 1.66 \text{ cm}^3 \\
 W_z &= 3.83 \text{ cm}^3 \\
 I_y &= 2.29 \text{ cm}^4 \\
 I_z &= 9.18 \text{ cm}^4
 \end{aligned}$$



OPTIONAL ACCESSORIES

HS22, ASK 4

