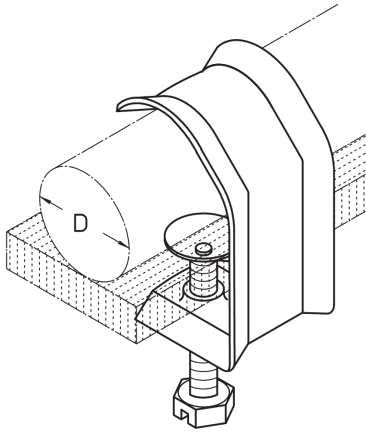


PRODUCT INFORMATION



KH

Cable holder

The KH cable holders are used for routing cables with a diameter of up to 32 mm along the flanges of e.g. I, L or U profiles (material 3 to 20 mm thick). They are made of galvanised steel.

steel, batch/hot-dip galvanized

Products	D	weight
KH 12	≤ 12 mm	0,038 kg
KH 16	≤ 16 mm	0,043 kg
KH 20	≤ 20 mm	0,045 kg
KH 24	≤ 24 mm	0,047 kg
KH 28	≤ 28 mm	0,049 kg
KH 32	≤ 32 mm	0,051 kg

D: diameter

DETAIL AND APPLICATION IMAGES

Page 1



PRODUCT INFORMATION

