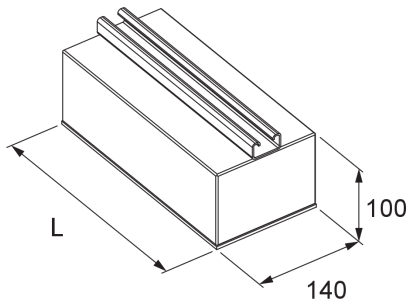


KFSC

Cable block, C-profile with protection mat

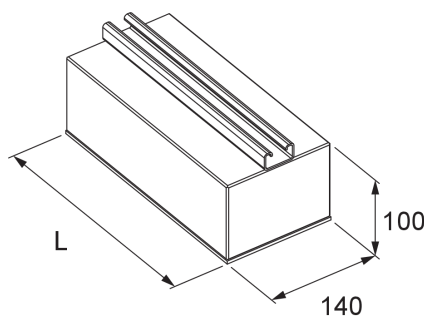
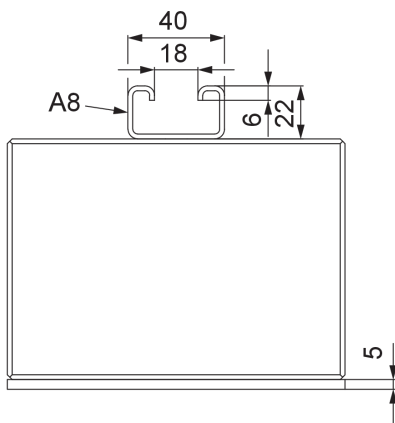


Cable block KFSC; roof tile with a batch/hot-dip galvanized C-channel (corresponds to A 8 profile rail) and protection mat. For laying cable trays, mesh cable trays, pipes, channels and cables using cable clamps. The installation is suitable for mounting on flat roof surfaces or on the ground, for example. The protection mat serves as a firm support surface and prevents damage to the existing roof covering. Roof-mounted installation should be agreed with the building owner or specialist planner with regard to possible additional loads depending on the installation location.

Products	H	B	L	weight
KFSC 030	100 mm	140 mm	300 mm	10,000 kg
KFSC 050	100 mm	140 mm	500 mm	16,000 kg

H: height
B: width
L: length

DETAIL AND APPLICATION IMAGES



OPTIONAL ACCESSORIES

HS18, AM 18, AMF 18, AMA 18

