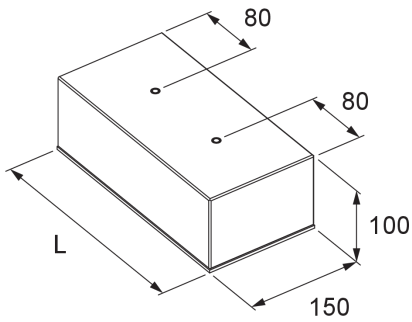


KFSB

Cable block, blank with protection mat



Cable block KFSB; roof tile with two U 6 plastic expansion dowels and protection mat. The dowels are compatible with chipboard/wood screws from 4.0 to 5.0 mm wide and a maximum length of 40 mm. Various profile rails with different surfaces/materials are available as optional accessories. The installation is suitable for mounting on flat roof surfaces or on the ground, for example. The protection mat serves as a firm support surface and prevents damage to the existing roof covering. Roof-mounted installation should be agreed with the building owner or specialist planner with regard to possible additional loads depending on the installation location.

Products	H	B	L	weight
KFSB 030	100 mm	150 mm	300 mm	9,500 kg
KFSB 050	100 mm	150 mm	500 mm	14,000 kg

H: height
B: width
L: length

DETAIL AND APPLICATION IMAGES

