

## KDU 60

Bracket support, heavy, 60x40 mm

The bracket holder KDU 60 with welded-on top plate (material thickness  $t$ ) is easy to use as a construction profile due to its continuous, three-sided perforation. It consists of a U profile 60 x 40 mm. A support piece must be used if the bracket is 500 mm long or if the bracket is being mounted in the end zone of the ceiling strut. If no support piece is used, the permissible loads must be reduced by 30%. We provide components in various materials and surface finishes to ensure that the corrosion requirements are met for all sorts of applications. FD/P: Factor for calculating the dowel load FD with actual console load P. The permissible loads are achieved using a support piece.

steel, galvanic zinc plated

Products	L	H <sub>p</sub>	B <sub>p</sub>	t	weight
KDU 60-02GV	200 mm	40 mm	60 mm	6,00 mm	1,343 kg
KDU 60-03GV	300 mm	40 mm	60 mm	6,00 mm	1,670 kg
KDU 60-04GV	400 mm	40 mm	60 mm	6,00 mm	2,000 kg
KDU 60-05GV	500 mm	40 mm	60 mm	6,00 mm	2,330 kg
KDU 60-06GV	600 mm	40 mm	60 mm	6,00 mm	2,540 kg
KDU 60-07GV	700 mm	40 mm	60 mm	6,00 mm	2,880 kg
KDU 60-08GV	800 mm	40 mm	60 mm	6,00 mm	3,310 kg
KDU 60-09GV	900 mm	40 mm	60 mm	6,00 mm	3,640 kg
KDU 60-10GV	1000 mm	40 mm	60 mm	6,00 mm	3,970 kg
KDU 60-11GV	1100 mm	40 mm	60 mm	8,00 mm	4,520 kg
KDU 60-12GV	1200 mm	40 mm	60 mm	8,00 mm	4,850 kg
KDU 60-13GV	1300 mm	40 mm	60 mm	8,00 mm	5,180 kg
KDU 60-14GV	1400 mm	40 mm	60 mm	8,00 mm	5,510 kg
KDU 60-15GV	1500 mm	40 mm	60 mm	8,00 mm	5,840 kg
KDU 60-16GV	1600 mm	40 mm	60 mm	8,00 mm	0,000 kg
KDU 60-17GV	1700 mm	40 mm	60 mm	8,00 mm	6,530 kg
KDU 60-18GV	1800 mm	40 mm	60 mm	8,00 mm	6,860 kg
KDU 60-19GV	1900 mm	40 mm	60 mm	8,00 mm	7,200 kg
KDU 60-20GV	2000 mm	40 mm	60 mm	8,00 mm	7,480 kg



# PRODUCT INFORMATION

steel, batch/hot-dip galvanized

Products	L	H <sub>p</sub>	B <sub>p</sub>	t	weight
KDU 60-02F	200 mm	40 mm	60 mm	6,00 mm	1,410 kg
KDU 60-03F	300 mm	40 mm	60 mm	6,00 mm	1,770 kg
KDU 60-04F	400 mm	40 mm	60 mm	6,00 mm	2,070 kg
KDU 60-05F	500 mm	40 mm	60 mm	6,00 mm	2,370 kg
KDU 60-06F	600 mm	40 mm	60 mm	6,00 mm	2,720 kg
KDU 60-07F	700 mm	40 mm	60 mm	6,00 mm	3,080 kg
KDU 60-08F	800 mm	40 mm	60 mm	6,00 mm	3,500 kg
KDU 60-09F	900 mm	40 mm	60 mm	6,00 mm	3,820 kg
KDU 60-10F	1000 mm	40 mm	60 mm	6,00 mm	4,090 kg
KDU 60-11F	1100 mm	40 mm	60 mm	8,00 mm	4,900 kg
KDU 60-12F	1200 mm	40 mm	60 mm	8,00 mm	5,200 kg
KDU 60-13F	1300 mm	40 mm	60 mm	8,00 mm	5,500 kg
KDU 60-14F	1400 mm	40 mm	60 mm	8,00 mm	5,900 kg
KDU 60-15F	1500 mm	40 mm	60 mm	8,00 mm	6,300 kg
KDU 60-16F	1600 mm	40 mm	60 mm	8,00 mm	6,600 kg
KDU 60-17F	1700 mm	40 mm	60 mm	8,00 mm	7,000 kg
KDU 60-18F	1800 mm	40 mm	60 mm	8,00 mm	7,300 kg
KDU 60-19F	1900 mm	40 mm	60 mm	8,00 mm	7,700 kg
KDU 60-20F	2000 mm	40 mm	60 mm	8,00 mm	7,800 kg

Stainless steel, according to ASTM 304 / BS 304 S 3

Products	L	H <sub>p</sub>	B <sub>p</sub>	t	weight
KDU 60-02E	200 mm	40 mm	60 mm	6,00 mm	1,360 kg
KDU 60-03E	300 mm	40 mm	60 mm	6,00 mm	1,690 kg
KDU 60-04E	400 mm	40 mm	60 mm	6,00 mm	2,020 kg
KDU 60-05E	500 mm	40 mm	60 mm	6,00 mm	2,350 kg
KDU 60-06E	600 mm	40 mm	60 mm	6,00 mm	2,680 kg
KDU 60-07E	700 mm	40 mm	60 mm	6,00 mm	3,010 kg
KDU 60-08E	800 mm	40 mm	60 mm	6,00 mm	3,340 kg
KDU 60-09E	900 mm	40 mm	60 mm	6,00 mm	3,670 kg

Page 2



PohlCon GmbH  
Nobelstraße 51 | 12057 Berlin  
Telefon: +49 30 68283-04 | Fax: +49 30 68283-383 | contact@pohlcon.com



# PRODUCT INFORMATION

Products	L	H <sub>p</sub>	B <sub>p</sub>	t	weight
KDU 60-10E	1000 mm	40 mm	60 mm	6,00 mm	4,000 kg
KDU 60-11E	1100 mm	40 mm	60 mm	8,00 mm	4,560 kg
KDU 60-12E	1200 mm	40 mm	60 mm	8,00 mm	4,890 kg
KDU 60-13E	1300 mm	40 mm	60 mm	8,00 mm	5,220 kg
KDU 60-14E	1400 mm	40 mm	60 mm	8,00 mm	5,550 kg
KDU 60-15E	1500 mm	40 mm	60 mm	8,00 mm	5,880 kg
KDU 60-16E	1600 mm	40 mm	60 mm	8,00 mm	6,210 kg
KDU 60-17E	1700 mm	40 mm	60 mm	8,00 mm	6,540 kg
KDU 60-18E	1800 mm	40 mm	60 mm	8,00 mm	6,870 kg
KDU 60-19E	1900 mm	40 mm	60 mm	8,00 mm	7,200 kg
KDU 60-20E	2000 mm	40 mm	60 mm	8,00 mm	7,530 kg

Stainless steel, according to ASTM 316 Ti / AISI 316 L, BS 320S17 / BS 316S11

Products	L	H <sub>p</sub>	B <sub>p</sub>	t	weight
KDU 60-02E4	200 mm	40 mm	60 mm	6,00 mm	1,370 kg
KDU 60-03E4	300 mm	40 mm	60 mm	6,00 mm	1,710 kg
KDU 60-04E4	400 mm	40 mm	60 mm	6,00 mm	2,040 kg
KDU 60-05E4	500 mm	40 mm	60 mm	6,00 mm	2,370 kg
KDU 60-06E4	600 mm	40 mm	60 mm	6,00 mm	2,700 kg
KDU 60-07E4	700 mm	40 mm	60 mm	6,00 mm	3,040 kg
KDU 60-08E4	800 mm	40 mm	60 mm	6,00 mm	3,370 kg
KDU 60-09E4	900 mm	40 mm	60 mm	6,00 mm	3,700 kg
KDU 60-10E4	1000 mm	40 mm	60 mm	6,00 mm	4,030 kg
KDU 60-11E4	1100 mm	40 mm	60 mm	8,00 mm	4,590 kg
KDU 60-12E4	1200 mm	40 mm	60 mm	8,00 mm	4,930 kg
KDU 60-13E4	1300 mm	40 mm	60 mm	8,00 mm	5,260 kg
KDU 60-14E4	1400 mm	40 mm	60 mm	8,00 mm	5,590 kg
KDU 60-15E4	1500 mm	40 mm	60 mm	8,00 mm	5,920 kg
KDU 60-16E4	1600 mm	40 mm	60 mm	8,00 mm	6,260 kg
KDU 60-17E4	1700 mm	40 mm	60 mm	8,00 mm	6,590 kg
KDU 60-18E4	1800 mm	40 mm	60 mm	8,00 mm	6,910 kg
KDU 60-19E4	1900 mm	40 mm	60 mm	8,00 mm	7,250 kg



PohlCon GmbH  
 Nobelstraße 51 | 12057 Berlin  
 Telefon: +49 30 68283-04 | Fax: +49 30 68283-383 | contact@pohlcon.com

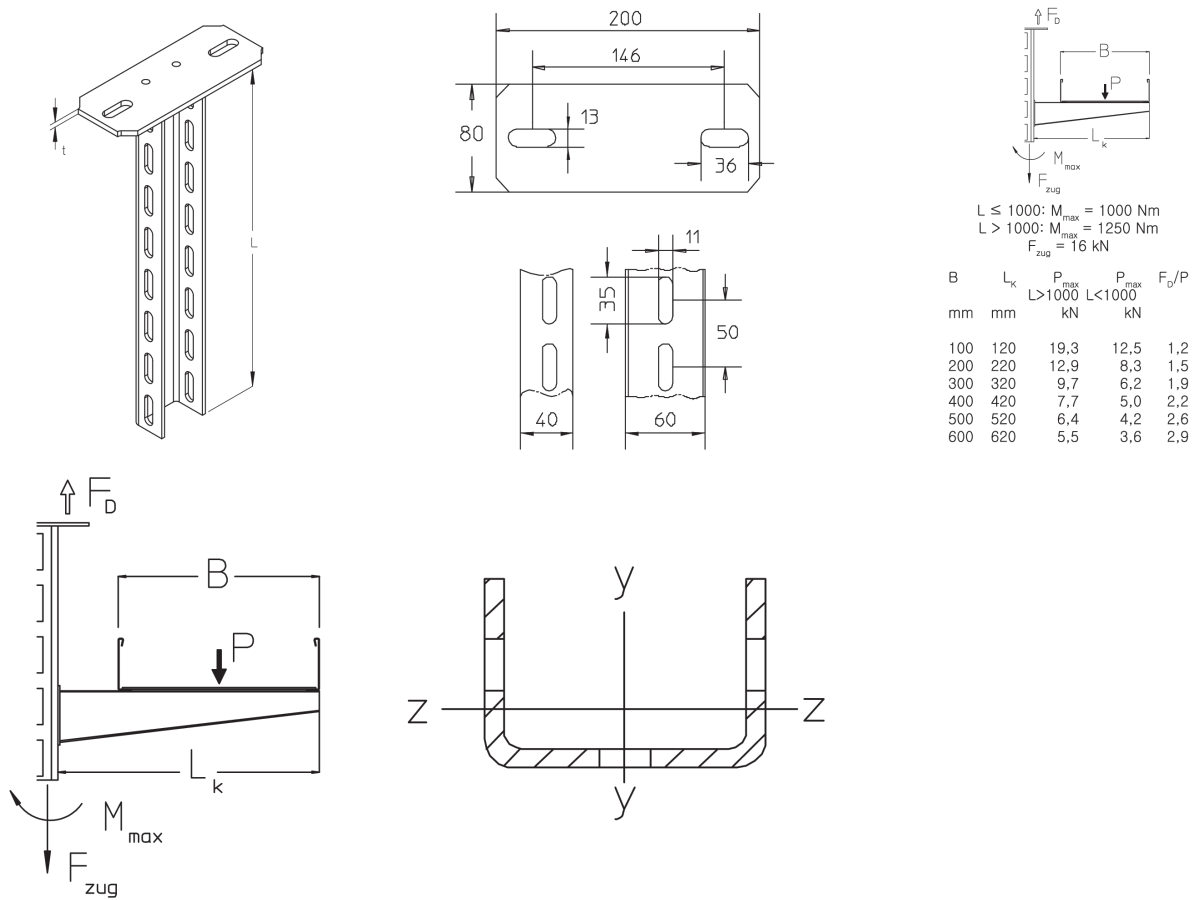


# PRODUCT INFORMATION

Products	L	H <sub>p</sub>	B <sub>p</sub>	t	weight
KDU 60-20E4	2000 mm	40 mm	60 mm	8,00 mm	7,580 kg

**L:** length  
**H<sub>p</sub>:** profile height  
**B<sub>p</sub>:** profile width  
**t:** material thickness

## DETAIL AND APPLICATION IMAGES



## OPTIONAL ACCESSORIES

KW, KWMS, KWS, KHU 60, KHUV 60, KHUSS 60, SU 60, SD, SAZ





PohlCon GmbH  
Nobelstraße 51 | 12057 Berlin  
Telefon: +49 30 68283-04 | Fax: +49 30 68283-383 | [contact@pohlcon.com](mailto:contact@pohlcon.com)

