

## KDU 57

Bracket support, 57x30 mm, maintenance of function

steel, batch/hot-dip galvanized

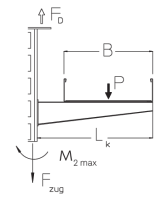
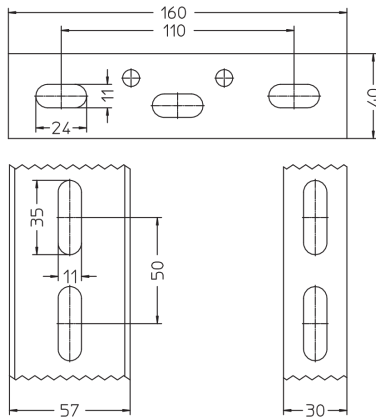
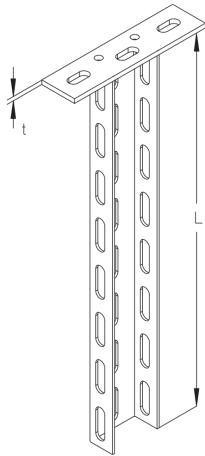
Products	L	H <sub>p</sub>	B <sub>p</sub>	t	W
KDU 57-02F	200 mm	30 mm	57 mm	5,00 mm	0,590 kg
KDU 57-03F	300 mm	30 mm	57 mm	5,00 mm	0,770 kg
KDU 57-04F	400 mm	30 mm	57 mm	5,00 mm	0,950 kg
KDU 57-05F	500 mm	30 mm	57 mm	5,00 mm	1,130 kg
KDU 57-06F	600 mm	30 mm	57 mm	5,00 mm	1,310 kg
KDU 57-07F	700 mm	30 mm	57 mm	5,00 mm	1,490 kg
KDU 57-08F	800 mm	30 mm	57 mm	5,00 mm	1,680 kg
KDU 57-09F	900 mm	30 mm	57 mm	5,00 mm	1,860 kg
KDU 57-10F	1000 mm	30 mm	57 mm	5,00 mm	2,040 kg
KDU 57-11F	1100 mm	30 mm	57 mm	5,00 mm	2,220 kg
KDU 57-12F	1200 mm	30 mm	57 mm	5,00 mm	2,400 kg
KDU 57-13F	1300 mm	30 mm	57 mm	5,00 mm	2,580 kg
KDU 57-14F	1400 mm	30 mm	57 mm	5,00 mm	2,770 kg
KDU 57-15F	1500 mm	30 mm	57 mm	5,00 mm	2,950 kg

L: length  
H<sub>p</sub>: profile height  
B<sub>p</sub>: profile width  
t: material thickness  
W: Weight per storage unit



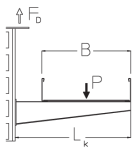
# PRODUCT INFORMATION

## DETAIL AND APPLICATION IMAGES

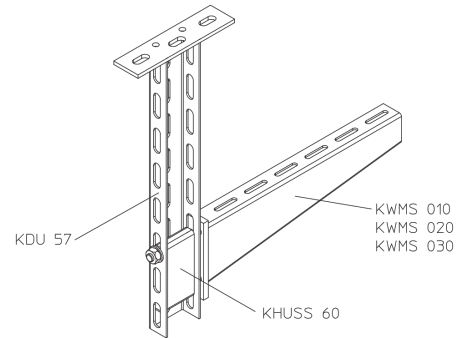
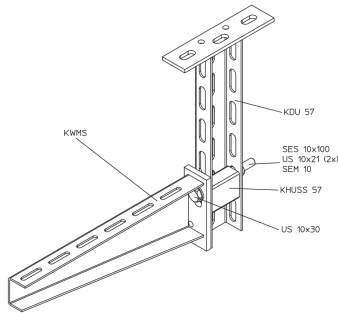
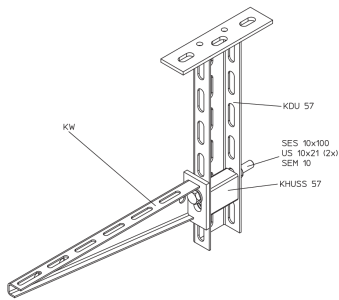
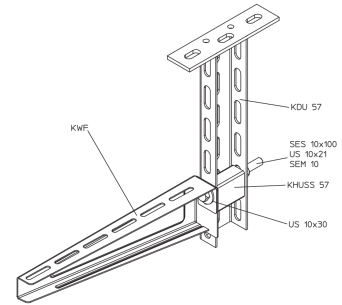
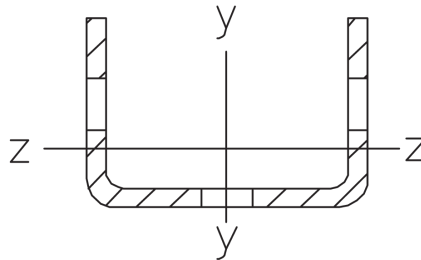


$M_{2,max} = 670 \text{ Nm}$   
 $F_{zug} = 15 \text{ kN}$

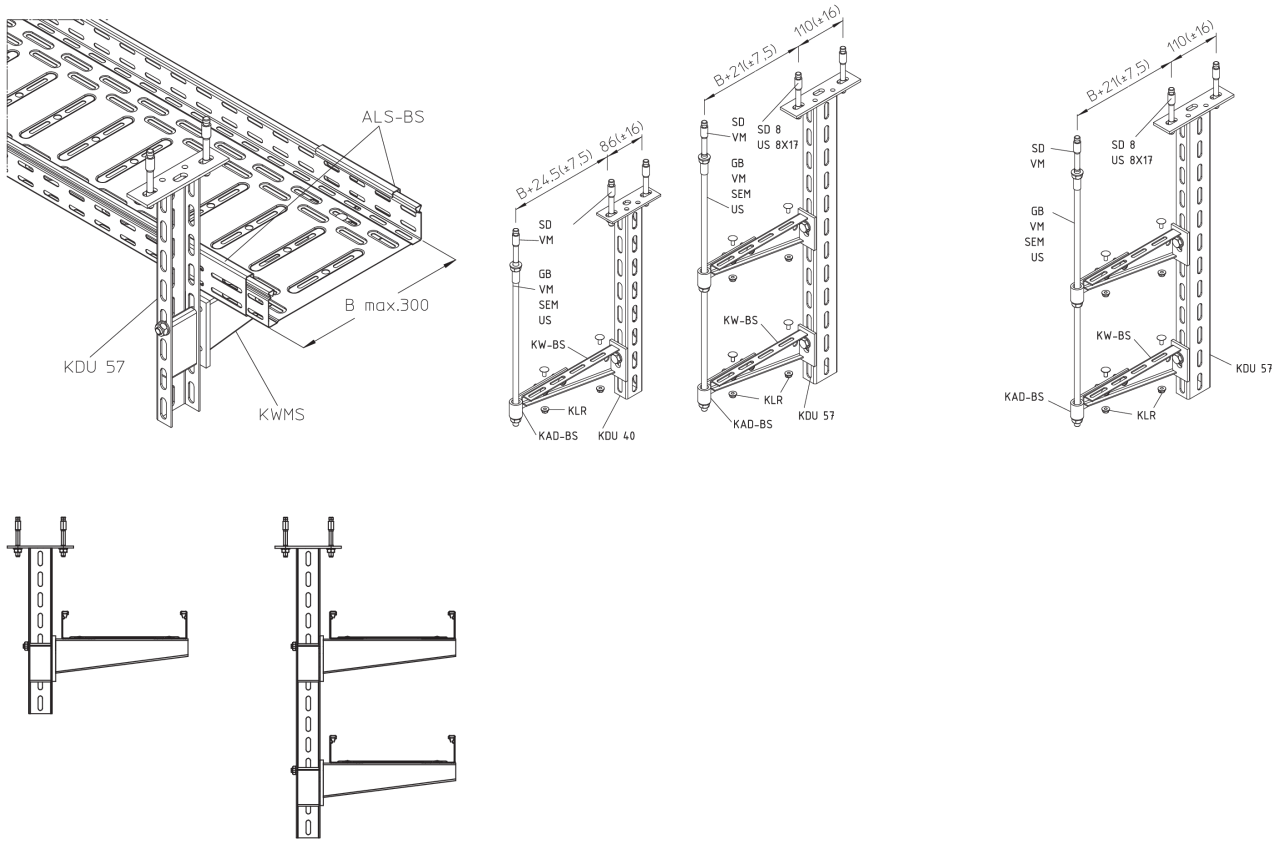
B mm	L <sub>k</sub> mm	P <sub>max</sub> kN	F <sub>D</sub> /P
100	120	6,9	1,4
200	220	4,5	1,9
300	320	3,4	2,3
400	420	2,7	2,8
500	520	2,2	3,2
600	620	1,9	3,7



B mm	L <sub>k</sub> mm	P <sub>max</sub> kN	F <sub>D</sub> /P
100	120	6,9	1,4
200	220	4,5	1,9
300	320	3,4	2,3



# PRODUCT INFORMATION



## OPTIONAL ACCESSORIES

KW-BS, SD, SAZ

