

## KDU 40

Bracket support, 40x30 mm, maintenance of function

steel, batch/hot-dip galvanized

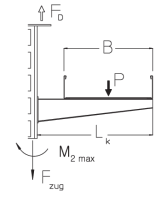
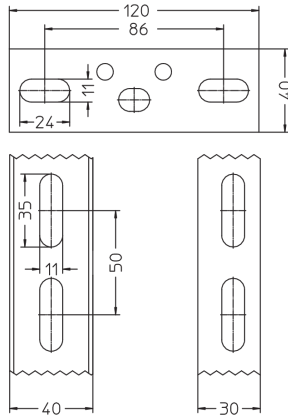
Products	L	H <sub>p</sub>	B <sub>p</sub>	t	W
KDU 40-02F	200 mm	30 mm	40 mm	4,00 mm	0,380 kg
KDU 40-03F	300 mm	30 mm	40 mm	4,00 mm	0,500 kg
KDU 40-04F	400 mm	30 mm	40 mm	4,00 mm	0,620 kg
KDU 40-05F	500 mm	30 mm	40 mm	4,00 mm	0,730 kg
KDU 40-06F	600 mm	30 mm	40 mm	4,00 mm	0,860 kg
KDU 40-07F	700 mm	30 mm	40 mm	4,00 mm	0,980 kg
KDU 40-08F	800 mm	30 mm	40 mm	4,00 mm	1,100 kg
KDU 40-09F	900 mm	30 mm	40 mm	4,00 mm	1,220 kg
KDU 40-10F	1000 mm	30 mm	40 mm	4,00 mm	1,340 kg
KDU 40-11F	1100 mm	30 mm	40 mm	4,00 mm	1,460 kg
KDU 40-12F	1200 mm	30 mm	40 mm	4,00 mm	1,580 kg
KDU 40-13F	1300 mm	30 mm	40 mm	4,00 mm	1,700 kg
KDU 40-14F	1400 mm	30 mm	40 mm	4,00 mm	1,820 kg
KDU 40-15F	1500 mm	30 mm	40 mm	4,00 mm	1,940 kg

**L:** length  
**H<sub>p</sub>:** profile height  
**B<sub>p</sub>:** profile width  
**t:** material thickness  
**W:** Weight per storage unit



# PRODUCT INFORMATION

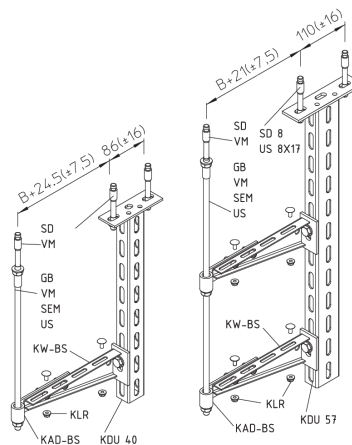
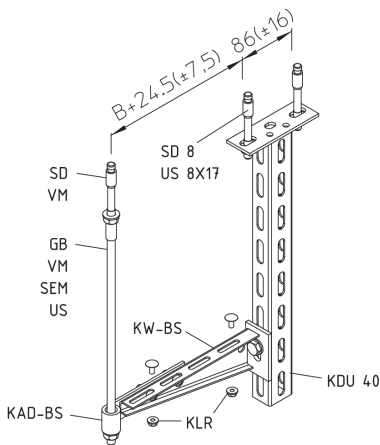
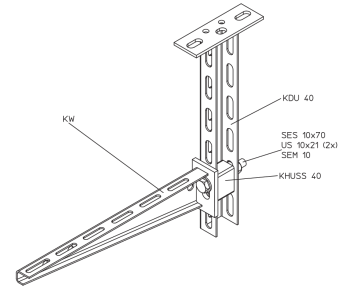
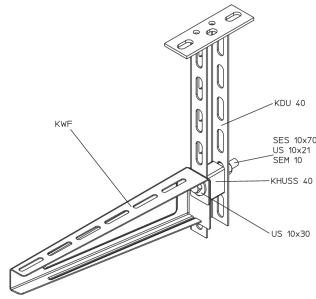
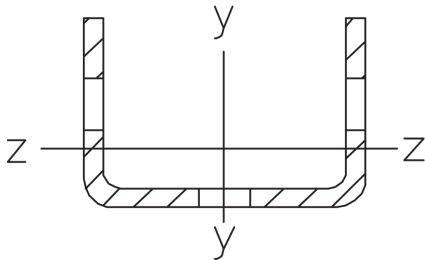
## DETAIL AND APPLICATION IMAGES



$$M_{z \max} = 380 \text{ Nm}$$

$$F_{\text{zug}} = 10 \text{ kN}$$

B mm	L <sub>k</sub> mm	P <sub>max</sub> kN	F <sub>D</sub> /P
100	120	4,3	1,6
200	220	2,7	2,1
300	320	2,0	2,7
400	420	1,5	3,3



## OPTIONAL ACCESSORIES

KW-BS, SD, SAZ





PohlCon GmbH  
Nobelstraße 51 | 12057 Berlin  
Telefon: +49 30 68283-04 | Fax: +49 30 68283-383 | [contact@pohlcon.com](mailto:contact@pohlcon.com)

