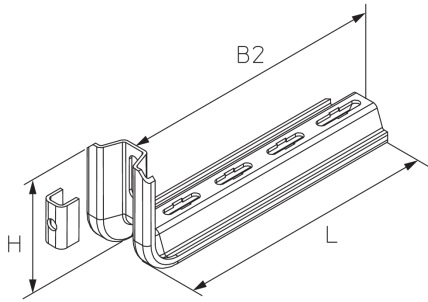


## KDSL

### Bracket support, light



The bracket holder KDSL is designed for light loads in combination with the bracket KSL. It consists of a centrally perforated W/trapezoidal profile 60 x 20 mm. We provide components in various materials and surface finishes to ensure that the corrosion requirements are met for all sorts of applications. The KSL-SP spacer must be installed to prevent deformation of the profile due to the preload force of the fastening element.

Products	H	B2	L	H <sub>p</sub>	B <sub>p</sub>	t	weight
KDSL 010F	90 mm	120 mm	145 mm	20 mm	60 mm	2,50 mm	0,410 kg
KDSL 010S	90 mm	120 mm	145 mm	20 mm	60 mm	2,50 mm	0,390 kg
KDSL 015F	90 mm	170 mm	195 mm	20 mm	60 mm	2,50 mm	0,500 kg
KDSL 015S	90 mm	170 mm	195 mm	20 mm	60 mm	2,50 mm	0,470 kg
KDSL 020F	90 mm	220 mm	245 mm	20 mm	60 mm	2,50 mm	0,590 kg
KDSL 020S	90 mm	220 mm	245 mm	20 mm	60 mm	2,50 mm	0,560 kg
KDSL 025F	90 mm	270 mm	295 mm	20 mm	60 mm	2,50 mm	0,680 kg
KDSL 025S	90 mm	270 mm	295 mm	20 mm	60 mm	2,50 mm	0,640 kg
KDSL 030F	90 mm	320 mm	345 mm	20 mm	60 mm	2,50 mm	0,760 kg
KDSL 030S	90 mm	320 mm	345 mm	20 mm	60 mm	2,50 mm	0,720 kg
KDSL 040F	90 mm	420 mm	445 mm	20 mm	60 mm	2,50 mm	0,950 kg
KDSL 040S	90 mm	420 mm	445 mm	20 mm	60 mm	2,50 mm	0,890 kg
KDSL 050F	90 mm	520 mm	545 mm	20 mm	60 mm	2,50 mm	1,130 kg
KDSL 050S	90 mm	520 mm	545 mm	20 mm	60 mm	2,50 mm	1,060 kg
KDSL 060F	90 mm	620 mm	645 mm	20 mm	60 mm	2,50 mm	1,290 kg
KDSL 060S	90 mm	620 mm	645 mm	20 mm	60 mm	2,50 mm	1,210 kg

**H:** height  
**B2:** width  
**L:** length  
**H<sub>p</sub>:** profile height  
**B<sub>p</sub>:** profile width

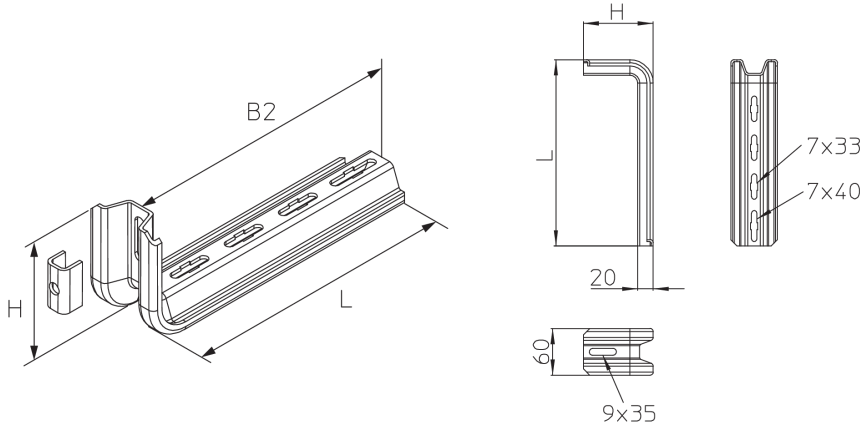


# PRODUCT INFORMATION

---

t: material thickness

## DETAIL AND APPLICATION IMAGES



## OPTIONAL ACCESSORIES

KSL, SD, KSL-SP

