

KD

Plastic dowels

The plastic plug KD is made of polyamide and is suitable for pre-insertion and through-insertion of wood and chipboard screws. It has an outer diameter D (= drill core diameter) of 8 to 14 mm and an inner diameter \varnothing (= wood screw diameter) of 6 to 12 mm. The minimum drilling depth must be 55 to 90 mm. The manufacturer's specifications must be observed.

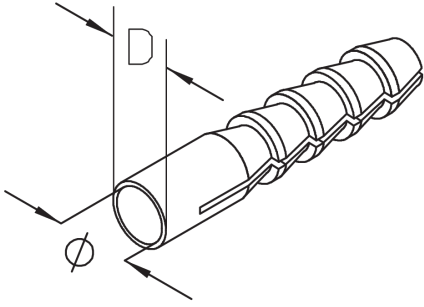
polyamide

| Products | \varnothing | D | L_{\min} | weight |
|----------|---------------|-------|------------|----------|
| KD 6 | 6 mm | 8 mm | 55 mm | 0,001 kg |
| KD 8 | 8 mm | 10 mm | 70 mm | 0,002 kg |
| KD 10 | 10 mm | 12 mm | 80 mm | 0,004 kg |
| KD 12 | 12 mm | 14 mm | 95 mm | 0,006 kg |

\varnothing : thread diameter
D: diameter
 L_{\min} : min. borehole depth

DETAIL AND APPLICATION IMAGES





OPTIONAL ACCESSORIES

SEH

