

KC

Support bracket, C-profile

The support bracket KC with C-profile is used to suspend cable trays and mesh cable trays in widths from 100 to 400 mm or for direct mounting on walls or ceilings. This article is available in sendzimir or hot-dip galvanized steel or stainless steel with material no. 1.4571/1.4404 (V4A).

steel, continuously hot galvanized/Sendzimir process

Products	H	B	B1	B2	L	P _{max}	F _D /P	W
KC 010S	200 mm	58 mm	100 mm	115 mm	188 mm	1,05 kN	1,25	0,557 kg
KC 020S	200 mm	58 mm	200 mm	215 mm	288 mm	1,05 kN	1,45	0,766 kg
KC 030S	200 mm	58 mm	300 mm	315 mm	388 mm	1,05 kN	1,67	1,512 kg
KC 040S	200 mm	58 mm	400 mm	415 mm	488 mm	1,05 kN	1,9	1,855 kg

steel, batch/hot-dip galvanized

Products	H	B	B1	B2	L	P _{max}	F _D /P	W
KC 010F	200 mm	58 mm	100 mm	115 mm	188 mm	1,05 kN	1,25	0,596 kg
KC 020F	200 mm	58 mm	200 mm	215 mm	288 mm	1,05 kN	1,45	0,820 kg
KC 030F	200 mm	58 mm	300 mm	315 mm	388 mm	1,05 kN	1,67	1,618 kg
KC 040F	200 mm	58 mm	400 mm	415 mm	488 mm	1,05 kN	1,90	1,985 kg

Stainless steel, according to ASTM 304 / BS 304 S 3

Products	H	B	B1	B2	L	P _{max}	F _D /P	W
KC 010E	200 mm	58 mm	100 mm	115 mm	188 mm	1,05 kN	1,25	0,563 kg
KC 020E	200 mm	58 mm	200 mm	215 mm	288 mm	1,05 kN	1,45	0,774 kg
KC 030E	200 mm	58 mm	300 mm	315 mm	388 mm	1,05 kN	1,67	1,527 kg _{Page 1}



PRODUCT INFORMATION

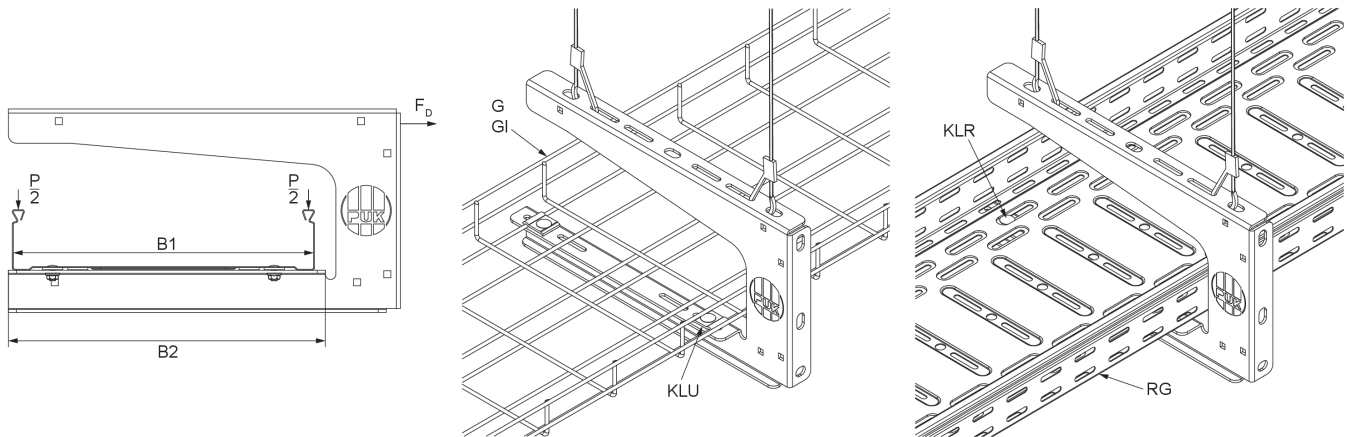
Products	H	B	B1	B2	L	P_{max}	F_D/P	W
KC 040E	200 mm	58 mm	400 mm	415 mm	488 mm	1,05 kN	1,90	1,874 kg

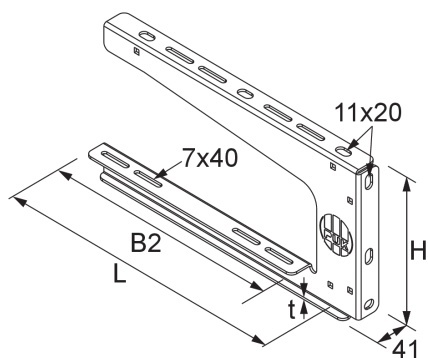
Stainless steel, according to ASTM 316 Ti / AISI 316 L, BS 320S17 / BS 316S11

Products	H	B	B1	B2	L	P_{max}	F_D/P	W
KC 010E4	200 mm	58 mm	100 mm	115 mm	188 mm	1,05 kN	1,25	0,568 kg
KC 020E4	200 mm	58 mm	200 mm	215 mm	288 mm	1,05 kN	1,45	0,781 kg
KC 030E4	200 mm	58 mm	300 mm	315 mm	388 mm	1,05 kN	1,67	1,542 kg
KC 040E4	200 mm	58 mm	400 mm	415 mm	488 mm	1,05 kN	1,90	1,892 kg

H: height
B: width
B1: width 1
B2: width 2
L: length
 P_{max} : maximum load
 F_D/P : dowel-to-anchor load
W: Weight per storage unit

DETAIL AND APPLICATION IMAGES





OPTIONAL ACCESSORIES

SD, KLS, KLR, KLU, KLF, GB

