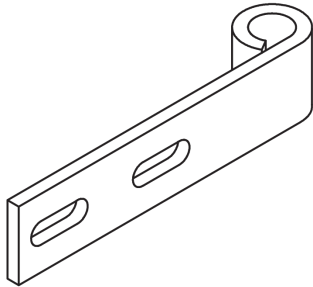


KAD-BS

Bracket adapter, maintenance of function



steel, continuously hot galvanized/Sendzimir process

Products	B	∅	W
KAD-BS S	13 mm	13 mm	0,210 kg
incl.:			
2 × IK 8X20, 2 × SEMS 8			

steel, batch/hot-dip galvanized

Products	B	∅	W
KAD-BS F	13 mm	13 mm	0,210 kg
incl.:			
2 × IK 8X20E, 2 × SEMS 8E			

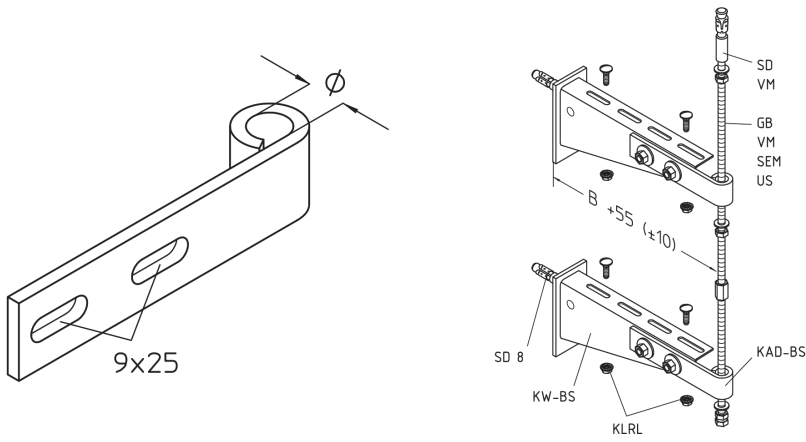
B: width

∅: inner diameter

W: Weight per storage unit

DETAIL AND APPLICATION IMAGES





OPTIONAL ACCESSORIES

SAZ, SD, GB, VM

