

KA 41

Stem support, standard, KDAG 41, A/KHA 21/41/42/82

The strut bracket KA 41 is attached to bracket holder KDAG 41 or KHA 41/KHAL 41 and is intended for loads up to 4.3 kN. The system is ideal for suspending mesh cable trays, cable trays and ladders up to 600 mm wide. The bracket is made of hot-dip galvanised steel.

steel, batch/hot-dip galvanized

Products	H	B	L	P _{max}	W
KA 41-010F	150 mm	125 mm	54 mm	4,30 kN	0,890 kg
KA 41-015F	150 mm	175 mm	54 mm	4,30 kN	1,020 kg
KA 41-020F	150 mm	225 mm	54 mm	4,30 kN	1,150 kg
KA 41-025F	150 mm	275 mm	54 mm	4,30 kN	1,280 kg
KA 41-030F	150 mm	325 mm	54 mm	4,30 kN	1,410 kg
KA 41-040F	150 mm	425 mm	54 mm	4,30 kN	1,670 kg
KA 41-050F	150 mm	525 mm	54 mm	4,30 kN	1,930 kg
KA 41-060F	150 mm	625 mm	54 mm	4,30 kN	2,200 kg

H: height

B: width

L: length

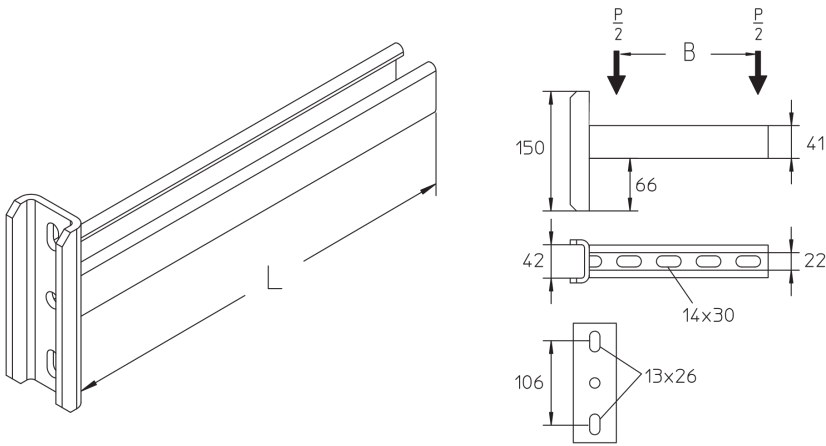
P_{max}: maximum load

W: Weight per storage unit

DETAIL AND APPLICATION IMAGES



PRODUCT INFORMATION



OPTIONAL ACCESSORIES

HS16, AM 16, KLU, KLR, SES, AM 22, AMF 22, KHA 41, KHA 21

