

KA 30

Bracket, light

The strut bracket KA 30 is attached to bracket holder KDAG 41 or KHA 41/KHAL 41 and is intended for loads up to 0.5 kN. The system is ideal for suspending mesh cable trays and cable trays up to 400 mm wide. The bracket is made of hot-dip galvanised steel.

steel, batch/hot-dip galvanized

Products	H	B	L	P _{max}	W
KA 30-010F	95 mm	125 mm	40 mm	0,50 kN	0,250 kg
KA 30-015F	95 mm	175 mm	40 mm	0,50 kN	0,290 kg
KA 30-020F	95 mm	225 mm	40 mm	0,50 kN	0,330 kg
KA 30-025F	95 mm	275 mm	40 mm	0,50 kN	0,360 kg
KA 30-030F	95 mm	325 mm	40 mm	0,50 kN	0,400 kg
KA 30-040F	95 mm	425 mm	40 mm	0,50 kN	0,470 kg

H: height

B: width

L: length

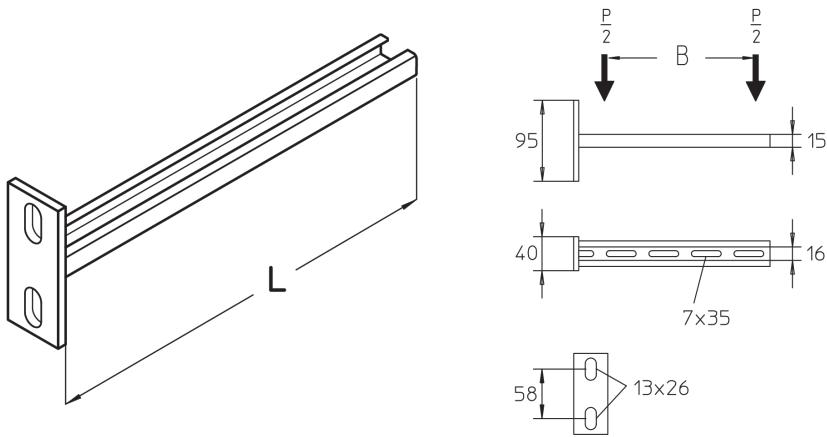
P_{max}: maximum load

W: Weight per storage unit

DETAIL AND APPLICATION IMAGES



PRODUCT INFORMATION



OPTIONAL ACCESSORIES

HS16, AM 16, KLU, KLR, SES, AM 22, AMF 22, KHA 41, KHA 21

