



JZA K 41/22

Anchor channel, cold-formed, toothed, with round or I anchor

The anchor channel JZA K 41/22 is approved throughout Europe by ETA-09/0338 and almost worldwide by ICC-ES ESR-2854. It also has environmental product declaration EPD-JDL-20200260-IBB1-DE. It is made of hot-dip galvanized steel (fv) or stainless steel (A4). The material is 2.5 thick, it can be supplied in any desired length up to a maximum of 6 m and is paired with the bolts JZS M12 - JZS M16. The profile is 41 mm wide and 22 mm high. The filling is made of polyethylene (PE).



steel, batch/hot-dip galvanized

Products	H	L	H _p	B _p		weight
ZARK4122 FVK-0100	90 mm	100 mm	22 mm	41 mm	2 Stk	0,296 kg
ZARK4122 FVK-0150	90 mm	150 mm	22 mm	41 mm	2 Stk	0,399 kg
ZARK4122 FVK-0200	90 mm	200 mm	22 mm	41 mm	2 Stk	0,502 kg
ZARK4122 FVK-0250	90 mm	250 mm	22 mm	41 mm	2 Stk	0,605 kg
ZARK4122 FVK-0300	90 mm	300 mm	22 mm	41 mm	2 Stk	0,708 kg
ZARK4122 FVK-0350	90 mm	350 mm	22 mm	41 mm	3 Stk	0,856 kg
ZARK4122 FVK-0400	90 mm	400 mm	22 mm	41 mm	3 Stk	0,959 kg
ZARK4122 FVK-0550	90 mm	550 mm	22 mm	41 mm	3 Stk	1,268 kg
ZARK4122 FVK-0800	90 mm	800 mm	22 mm	41 mm	4 Stk	1,829 kg
ZARK4122 FVK-1050	90 mm	1050 mm	22 mm	41 mm	5 Stk	2,389 kg
ZARK4122 FVK-3000	90 mm	3000 mm	22 mm	41 mm	13 Stk	6,769 kg
ZARK4122 FVK-6000	90 mm	6000 mm	22 mm	41 mm	25 Stk	2,249 kg

Stainless steel, according to ASTM 316 Ti / AISI 316 L, BS 320S17 / BS 316S11

Products	H	L	H _p	B _p		weight
ZARK4122 A4K-0100	90 mm	150 mm	22 mm	41 mm	2 Stk	0,272 kg
ZARK4122 A4K-0150	90 mm	150 mm	22 mm	41 mm	2 Stk	0,367 kg
ZARK4122 A4K-0200	90 mm	200 mm	22 mm	41 mm	2 Stk	0,462 kg
ZARK4122 A4K-0250	90 mm	250 mm	22 mm	41 mm	2 Stk	0,558 kg



PRODUCT INFORMATION

Products	H	L	H _p	B _p		weight
ZARK4122 A4K-0300	90 mm	300 mm	22 mm	41 mm	2 Stk	0,653 kg
ZARK4122 A4K-0350	90 mm	350 mm	22 mm	41 mm	3 Stk	0,789 kg
ZARK4122 A4K-0400	90 mm	400 mm	22 mm	41 mm	3 Stk	0,885 kg
ZARK4122 A4K-0550	90 mm	550 mm	22 mm	41 mm	3 Stk	1,171 kg
ZARK4122 A4K-0800	90 mm	800 mm	22 mm	41 mm	4 Stk	1,689 kg
ZARK4122 A4K-1050	90 mm	1050 mm	22 mm	41 mm	5 Stk	2,207 kg
ZARK4122 A4K-3000	90 mm	3000 mm	22 mm	41 mm	13 Stk	6,255 kg
ZARK4122 A4K-6000	90 mm	6000 mm	22 mm	41 mm	25 Stk	2,078 kg

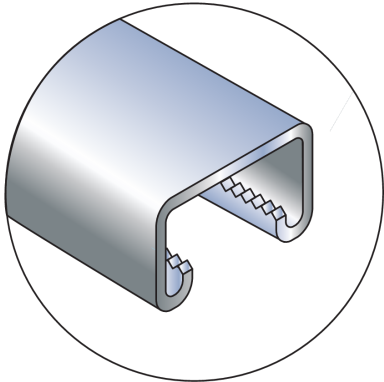
H: installation height

L: length

H_p: profile height

B_p: profile width

DETAIL AND APPLICATION IMAGES



OPTIONAL ACCESSORIES

JVL, JKZS

ETA

, ETA-09/0338

Page 2

 **PohlCon**

PohlCon GmbH
Nobelstraße 51 | 12057 Berlin
Telefon: +49 30 68283-04 | Fax: +49 30 68283-383 | contact@pohlcon.com





, EPD-JDL-20200260-IBB1-DE

