

JSV50

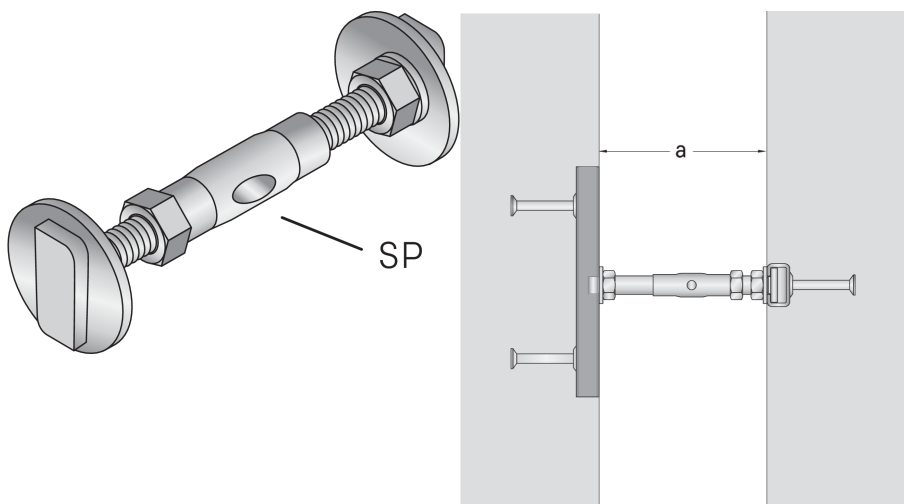
Clamp connection for tension-resistant and pressure-resistant connection of concrete components

JSV50 stainless steel (A4) clamp connections create play-free, tension-resistant and compression-resistant connections between two components. The connection is made between a vertical and a horizontal anchor channel with a minimum length of 150 mm. This arrangement ensures an exact, continuously variable, three-dimensional alignment of the fastening. The JSV50 clamp connection consists of a clamp sleeve, bolts and nuts with left-hand and right-hand threads, a nut for countering the clamp sleeve and washers.

Products	H	B	L	weight
SV501680 A4	22 mm	33 mm	165 mm	0,669 kg
SV501680100 A4	22 mm	33 mm	195 mm	0,716 kg
SV50168080 A4	22 mm	33 mm	215 mm	0,709 kg

H: height
B: width
L: length

DETAIL AND APPLICATION IMAGES





PohlCon GmbH
Nobelstraße 51 | 12057 Berlin
Telefon: +49 30 68283-04 | Fax: +49 30 68283-383 | contact@pohlcon.com

