

## JSV40

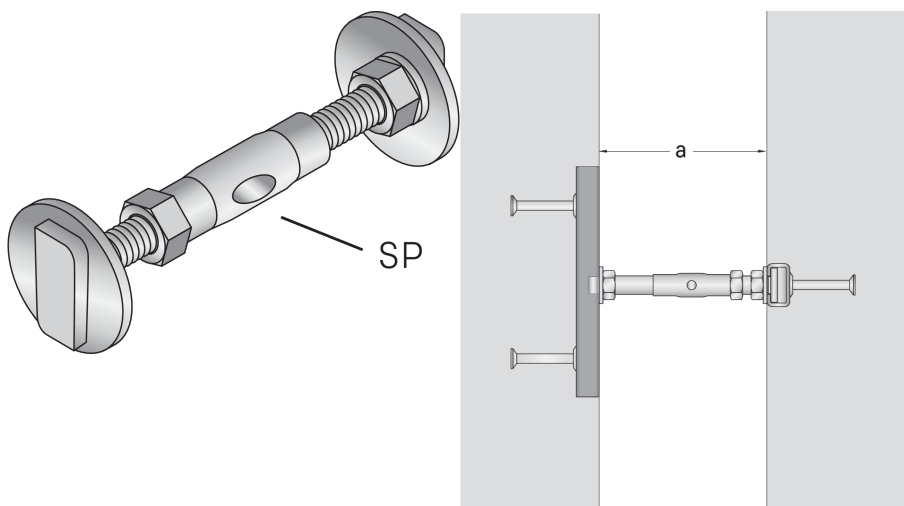
Clamp connection for tension-resistant and pressure-resistant connection of concrete components

JSV40 stainless steel (A4) clamp connections create play-free, tension-resistant and compression-resistant connections between two components. The connection is made between a vertical and a horizontal anchor channel with a minimum length of 150 mm. This arrangement ensures an exact, continuously variable, three-dimensional alignment of the fastening. The JSV40 clamp connection consists of a clamp sleeve, bolts and nuts with left-hand and right-hand threads, a nut for countering the clamp sleeve and washers.

Products	H	B	L	weight
SV401650 A4	22 mm	33 mm	115 mm	0,500 kg
SV401680 A4	22 mm	33 mm	145 mm	0,538 kg
SV401680100 A4	22 mm	33 mm	185 mm	0,591 kg

**H:** height  
**B:** width  
**L:** length

## DETAIL AND APPLICATION IMAGES





PohlCon GmbH  
Nobelstraße 51 | 12057 Berlin  
Telefon: +49 30 68283-04 | Fax: +49 30 68283-383 | [contact@pohlcon.com](mailto:contact@pohlcon.com)

