

## JKO28

### Profile bracket with support profile

JKO28 profile brackets are ready-to-install constructions for holding clamps, pipes and cable trays. They are therefore mainly used in technical building equipment. They are fastened to anchor channels or directly to the component with dowels. Special solutions are also possible upon request. The JKO28 profile bracket with cantilever profile K28/28 is made of hot-dip galvanised steel or stainless steel and is available in various lengths. It is paired with the bolts JD M6 - JD M12.

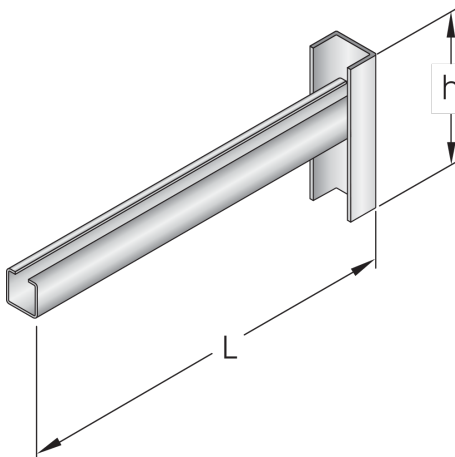
Products	H	B	L	weight
KO28-1-100 FV-0100	120 mm	28 mm	100 mm	0,360 kg
KO28-1-200 FV	120 mm	28 mm	200 mm	0,500 kg
KO28-1-300 FV	120 mm	28 mm	300 mm	0,630 kg
KO28-1-400 FV	120 mm	28 mm	400 mm	0,770 kg

**H:** height

**B:** width

**L:** length

## DETAIL AND APPLICATION IMAGES





PohlCon GmbH  
Nobelstraße 51 | 12057 Berlin  
Telefon: +49 30 68283-04 | Fax: +49 30 68283-383 | [contact@pohlcon.com](mailto:contact@pohlcon.com)

